



# BIG DIESEL GENERATOR

## PLANTA ELECTRICA DIESEL / BIG GERADOR DIESEL

TDMG25

TDMG40

TDMG60

PLEASE READ THIS MANUAL CAREFULLY. IT CONTAINS INFORMATION FOR YOUR SAFETY.  
POR FAVOR, LEA ATENTAMENTE ESTE MANUAL. CONTIENE INFORMACIÓN PARA SU SEGURIDAD.  
POR FAVOR, LEIA ATENTAMENTE ESTE MANUAL. ELE CONTÉM INFORMAÇÕES PARA SUA SEGURANÇA.

**OWNER'S MANUAL**  
GUÍA DEL PROPIETARIO • MANUAL DO PROPRIETÁRIO



## SUMÁRIO

<b>SAFETY SYMBOLS / SIMBOLOS DE SEGURIDAD / SIMBOLOS DE SEGURANÇA</b> .....	<b>4</b>
<b>ESPECIFICAÇÃO TÉCNICA / ESPECIFICACIÓN TÉCNICA / TECHNICAL SPECIFICATION</b> .....	<b>5</b>
<b>PREFACE</b> .....	<b>7</b>
<b>FOREWORD</b> .....	<b>7</b>
<b>1. SAFETY PRECAUTIONS</b> .....	<b>8</b>
<b>2. PRODUCT INFORMATION</b> .....	<b>11</b>
<b>3. OPERATION</b> .....	<b>15</b>
<b>4. MAINTENANCE AND TROUBLE SHOOTING</b> .....	<b>24</b>
<b>WARRANTY TERM</b> .....	<b>38</b>
<b>PROLOGO</b> .....	<b>39</b>
<b>INTRODUCCIÓN</b> .....	<b>39</b>
<b>1. RECORDACIONES DE SEGURIDAD:</b> .....	<b>40</b>
<b>2. INFORMACIONES DEL PRODUCTO</b> .....	<b>44</b>
<b>3. OPERACIÓN</b> .....	<b>48</b>
<b>4. MANTENIMIENTO Y SOLUCIÓN DE PROBLEMAS</b> .....	<b>58</b>
<b>TERMINO DE GARANTIA</b> .....	<b>74</b>
<b>PREFACIO</b> .....	<b>75</b>
<b>INTRODUÇÃO</b> .....	<b>75</b>
<b>1. RECOMENDAÇÕES DE SEGURANÇA</b> .....	<b>76</b>
<b>2. INFORMAÇÃO DO PRODUTO</b> .....	<b>80</b>
<b>3. OPERAÇÃO</b> .....	<b>84</b>
<b>4. MANUTENÇÃO E RESOLUÇÃO DE PROBLEMAS</b> .....	<b>94</b>
<b>TERMO DE GARANTIA</b> .....	<b>109</b>

## SAFETY SYMBOLS / SIMBOLOS DE SEGURIDAD / SIMBOLOS DE SEGURANÇA

The following symbols are intended to remind you of the safety precautions to be followed.

Los siguientes símbolos tienen el objetivo de recordarle las precauciones de seguridad que deben respetarse. Os símbolos seguintes têm o objetivo de lembra-lo sobre as precauções de segurança que devem ser respeitadas.

 <p>LEIA O MANUAL <b>LEA EL MANUAL</b> READ MANUAL</p>	 <p>AVISO <b>AVISO</b> WARNING</p>
 <p>USAR PROTEÇÃO DE OUVIDO <b>UTILICE PROTECCIÓN AURICULAR</b> WEAR EAR PROTECTORS</p>	 <p>RISCO ELÉTRICO <b>RIESGO ELÉCTRICO</b> WARNING ELECTRICITY</p>
 <p>USAR PROTEÇÃO RESPIRATÓRIA <b>UTILICE PROTECCIÓN RESPIRATORIA</b> RESPIRATORY PROTECTION</p>	 <p>RISCO DE TOMBAMENTO <b>RIESGO E DEZLIZAMIENTO</b> TIPOVER HAZARD</p>
 <p>LUVAS DE SEGURANÇA DEVEM SER USADAS <b>DEBEN SER UTILIZADOS GUANTES DE SEGURIDAD</b> SAFETY GLOVES MUST BE WORN</p>	 <p>SUPERFICIE QUENTE <b>SUPERFICIE CALIENTE</b> HEAT/HOT SURFACE</p>
 <p>CALÇADOS DE PROTEÇÃO DEVEM SER USADOS <b>DEBEN SER UTILIZADOS CALÇADOS PROTECTORES</b> PROTECTIVE FOOTWEAR MUST BE WORN</p>	 <p>ALTA TEMPERATURA <b>ALTA TEMPERATURA</b> HIGH TEMPERATURE</p>
 <p>PROTEÇÃO PARA OS OLHOS, OUVIDOS E CABEÇA DEVEM SER USADOS <b>DEBE SER UTILIZADA PROTECCIÓN PARA LOS OJOS, OIDOS Y CABEZA</b> EAR, EYE AND HEAD PROTECTION MUST BE WORN</p>	 <p>MATERIAL INFLAMÁVEL <b>MATERIAL INFLAMABLE</b> FLAMMABLE MATERIAL</p>
 <p>RISCO DE LESÃO <b>RIESGO DE LESION</b> RISK OF INJURY</p>	 <p>RISCO DE ESCORREGAR <b>RIESGO DE DESLIZAR</b> RISK OF SLIPPING</p>
 <p>PARTES MÓVEIS <b>PARTES MOBILES</b> ROTATING PARTS</p>	 <p>AR COM CONTAMINANTES <b>AIRE COM CONTAMINATES</b> TOXIC AIR</p>
	 <p>REBOTE <b>CONTRAGOLPE</b> KICKBACK</p>

**ESPECIFICAÇÃO TÉCNICA / ESPECIFICACIÓN TÉCNICA / TECHNICAL  
SPECIFICATION**

MODEL / MODELO	TDMG25		TDMG40		TDMG60		
Tipo / <b>Tipo</b> / Type :	Gerador Diesel Toyama, motor 4 tempos, Refrigerado a agua / Generator Diesel Toyama, Motor 4 Tiempos, Refrigerado por Agua / Diesel Generator Toyama, 4 Stroke, Water Cooled						
Rotação Nominal / <b>Rotación Nominal</b> / Rated speed [RPM]:	1800	1500	1800	1500	1800	1500	
Frequência / <b>Frecuencia</b> / Frequency [Hz]:	60	50	60	50	60	50	
Potência Máxima do Motor   <b>Potencia Maxima del Motor</b>   Maximum Engine Power [HP]:	41,6	30.8	57.7	48.3	88.5	81.7	
Tanque de combustível / <b>Capacidad del tanque de combustible</b> / Fuel tank capacity [L]:	70		80		85		
Capacidade Oleo / <b>Capacidad de aceite</b> / Oil capacity [L]:	8		12.5		15		
Óleo Recomendado / <b>Aceite Recomendado</b> / Recommended Oil	15W40						
Capacidade do Radiador / <b>Capacidad del Radiador</b> / Radiator capacity [L]: Water   Agua + Additive   Aditivo	6 L + 2.5 L		7.5 L + 6 L		12 L + 5 L		
Starting System   Sistema de Arranque   Sistema de Partida	Electric   Electrico   Eléctrica						
Quantity of Phases   Número de Fases   Numero de Fases	SE	Single-Phase   Monofasico   Monofásico					
	SE3(D)	Trifásico   Trifasico   Three Phase					
Tensão Principal   <b>Voltaje Principal</b>   Main Output [V]: *	SE	220	-		-		
	SE3	380	220 or/o/ou 380*		380		
	SE3D	220	-		220		
Potência Máxima / <b>Potencia Maxima</b> / Maximum Power [kVA]:	SE	22.5	16.6	-	-	-	-
	SE3	30	27	44	38	66	60
	SE3D	30	-	-	-	66	-
Potência Nominal / <b>Potencia Nominal</b> / Rated Power [kVA]:	SE	20	16	-	-	-	-
	SE3	25	20	40	34	60	54
	SE3D	25	-	-	-	60	-
Fator de Potência   <b>Factor de Potencia</b>   Power Factor [cos Ø]	SE	1,0					
	SE3(D)	0,8					
Corrente Nominal / <b>Corriente Nominal</b> / Rated Current [A]	SE	91	72	-	-	-	-
	SE3	38	30,2	60,5	51,4	89,6	81,7
	SE3D	65.3	-	104	-	156	-

Grau de Proteção / <b>Grado de Protección</b> / Protection Degree	IP21		
Altitude Máxima / <b>Altitud Maxima</b> / Maximum altitude [m]	1000 a.s.l		
Temperatura Ambiente Maxima / <b>Temperatura Ambiente Máxima</b> /Maximum Environment Temperature [°C]	25		
Noise Level   <b>Nivel de Ruido</b>   Nivel de Ruído @7m (A)	63 dB	73 dB	76db
Dimensões / Dimensiones (CxLxA) / Dimensions (lxwxh) caixa / caja / box [mm] :	2200 x 950 x 1200	2350 x 950 x 1200	2350 x 1000 x 1200
Peso líquido/Net weight [kg] :	900	1080	1040
Peso bruto/Gross weight[kg] [kg] :	945	1150	1095

- \* Check Purchased model
- \* Verifique el modelo comprado
- \* Verifique o modelo adquirido

## **PREFACE**

Thank you for purchasing TOYAMA product.

This manual covers the operation and maintenance of a Toyama product. The information and specifications included in this publication were in effect at the time of approval for printing. No part of this publication may be reproduced without written permission. This manual should be considered a permanent part of this product and should remain with it. The illustration may vary according to the type.

Keep this owner's manual handy, so you can refer to it at any time.

If a problem should arise, or if you have any questions about the product, consult your authorized dealer.

## **Foreword**

This manual contains guidance and instructions for the installation, servicing and maintenance of the generator.

Before operating the generator, read this manual. Misuse and failure to follow the instructions, and the use of non-approved parts, may invalidate the product warranty and lead to potential accidents.

This manual is an essential part of the generator set. Make sure that the operators have access to the manual and all additional documentation supplied with it.

Due to individual applications, your generator set may appear different from the illustrations.

This manual is written for skilled electrical and mechanical technicians and engineers. They have prior knowledge and experience of generating equipment. If in doubt, please consult experts or contact your dealer.

### **NOTICE**


We reserves the right to change the contents of this manual without prior notice.


## 1. SAFETY PRECAUTIONS


### 1.1 Safety Messages

This manual uses Danger, Warning and Caution panels to describe the sources of hazards, their consequences and how to avoid injury. Notice panels emphasize important or critical instructions.


Danger indicates a hazardous situation which, if not avoided, <b>WILL</b> result in death or serious injury.


Warning indicates a hazardous situation which, if not avoided, <b>COULD</b> result in death or serious injury.


Caution indicates a hazardous situation which, if not avoided, <b>COULD</b> result in minor or moderate injury.


Notice refers to a method or operation which can result in product damage, or to draw attention to additional information or explanations.

### 1.2 Burn Protection

Do not touch any part of an operating engine. Allow the engine to cool before any maintenance is performed on the engine. Relieve all pressure in the air system, in the hydraulic system, in the lubrication, in the fuel system, or in the cooling system before any lines, fitting or related items are disconnected.

### 1.3 Fire and Explosion Protection

All fuels, most lubricants, and some coolant mixtures are flammable.

Flammable fluids which are leaking or spilled onto hot surfaces and electrical components can result in fires. Fires can cause personal injury or property damage.

If the engine crankcase covers are removed within fifteen minutes after an emergency shutdown, it may cause a flash fire.

Confirm whether the engine can be operated in an environment which allows combustible gases to be drawn into the air inlet system. These gases could result in the overspeed of the engine. It could cause personal injury, property damage and engine damage.

Don't allow any flammable materials to accumulate on the engine. Remove all flammable materials such as fuel, oil and debris from the engine.

Fuels and lubricants should be stored in properly marked containers. Don't smoke in the areas which store flammable materials.

Do not cut or weld on lines and tanks which contain flammable fluids. Before



welding or flame cutting, clean these lines and tanks thoroughly with nonflammable solvent.

Electrical wires must be properly routed and securely attached. Check the electrical wires everyday. Repair the wires which are loose or frayed before operating the engine. Clean and tighten the electrical connections.

Generator set must be properly grounded according to related regulations.

Don't use the wires and cables which are smaller than the recommended gauge. Never bypass the fuses and circuit breakers.

Arcing and sparking could result in fires. Secure connections, recommended wirings and properly maintained battery cables will help to prevent arcing and sparking.

Inspect hoses for wear or deterioration. These hoses must be properly routed and tightened according to recommended torque. Leaks could cause fires.

Be careful and don't smoke when you are refueling an engine. Never refuel the engine near flames and sparks. Always stop the engine before refueling.

Gases from a battery can explode. Never smoke in battery charging areas.

Never charge a frozen battery, or else it may cause an explosion.

The batteries must be kept clean.

Use only dry chemical or carbon dioxide extinguishers on electrical fires. Inspect and service the fire extinguisher regularly. Make sure that the fire extinguisher is available. Be familiar with the operation of the fire extinguisher.

#### **1.4 Mechanical Protection**

The moving parts may cause serious injury or death. The generator set is designed with guards for protection from moving parts. Care must still be taken to protect personnel and equipment from other mechanical hazards when working around the generator set.

Keep hands, arms, long hair, loose clothing and jewelers away from pulleys, belts and other moving parts. When the generator set is running, some moving parts can't be seen clearly.

Keep access doors on enclosures closed and locked when not required to be open.

Wear protective clothing including gloves and hat when working around the generator set.

#### **1.5 Noise Protection**

Generator sets which are not equipped with sound attenuating enclosures can produce noise levels in excess of 105 dB. Prolonged exposure to noise levels above 85dB is hazardous to hearing.

Never operate the generator set without muffler or with a faulty exhaust system.

It's required ear protection when operating or working around an operating generator set.

#### **1.6 Installation and Moving Protection**

The hoisting devices are appropriate for the required tasks.

Ensure that hoisting devices and support structure are in good condition and

have sufficient load capacity.

The slings are correctly positioned in the lifting lugs provided or the fork lift arms are positioned centrally under the frame.

Never use the engine lifting eyes or the generator lifting eyes instead of the base frame lifting eyes or the enclosure lifting eyes to lift the entire generator set.

The ground is able to withstand the weight of the generator set and the hoisting device.

### **1.7 Exhaust Gases Protection**

Engine exhaust gases contain deadly carbon monoxide gas which is colorless and odorless. If breathed in sufficient concentrations, this gas can cause severe nausea, fainting or death. Provide adequate ventilation to prevent buildup of exhaust gases.

When the generator is installed inside a room or enclosure, exhaust gases must be piped outdoors.

Never connect the exhaust system of two or more engines.

Make certain that the exhaust is not near the air inlet.

Increase the exhaust pipe diameter as necessary to reduce back pressure.

### **1.8 First Aid for Electric Shock**

In the event of an accident from electrical shock, shut down the generator set immediately. If the set cannot be shut down, free the victim from contact with a dry nonconductor, avoiding direct contact with victim until free of the conductor. If the victim is unconscious, apply artificial respiration and get medical help immediately.

### **1.9 Precautions before Starting**

Make a general visual inspection on generator set if there is any breakage, crack, indentation, leakage or looseness. Never operate the generator set before solving faults.

Take out foreign materials such as keys, tools, cleaning wool, papers etc. in the engine and the alternator.

Check the fuel level in base fuel tank. Refuel if it is low.

Check the oil level on the dipstick. Refill with oil if it is low. The oil level generally must be close to the maximum level line.

Check the water level by removing the radiator tap. Add water if it is low.

Engine coolant may include antifreeze according to the coldest weather conditions. We recommends a 1:1 mixture of water and glycol. This mixture will provide optimum heavy-duty performance as a coolant/antifreeze.

Inspect the radiator air outlet hood. If it is clogged, open and clear away all obstructions.

Check the air filter gauge. If necessary, clean or replace the air filter.

Keep the air inlet open.

Make certain that the generator set can take air easily from the environment.

Check the battery connection cables. Be careful to tighten the loosened battery terminals with spanner and keep clean.

Check if the circuit breaker switch is in OFF position.

Make sure that the emergency stop button is not pressed.

### 1.10 Precautions after Starting

Check the abnormal noise or vibration on the generator set.

Check the leakage of the exhaust system.

Monitor the generator set operation by way of the control module.

Check the engine temperature and oil pressure. The oil pressure must reach the normal value after the generator set running 10 seconds.

Monitor the generator set outlet voltage and frequency.

If not equipped with jacket water heater, operate the generator set at no-load for 8 minutes before applying the load (manual mode).

### 1.11 Generator Set Isolating for Maintenance

When you service or repair a generator set, attach a “DO NOT OPERATE” or similar warning tag which is shown as figure 1-1 to the generator set starting switch and disconnect the generator set from the distribution system.

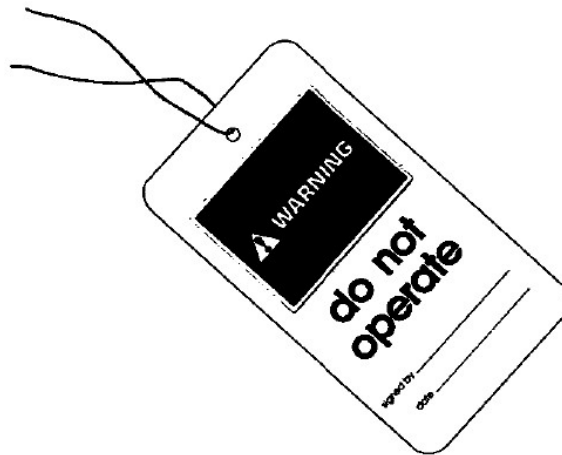


Figure 1-1 Warning Tag

### 1.12 Accidental Starting

The generator set could start at any time in the “AUTO” mode. Keep clear of all moving parts and be sure to turn switch to the “OFF” position before servicing and disconnect the negative battery cable after disconnecting the battery charger circuit.

## 2. PRODUCT INFORMATION

### 2.1 Nameplate

Be ready to provide the generator set model and serial numbers on the nameplate when contacting us for parts, service and product information. Figure 2-1 illustrates the nameplate. It also shows active power, apparent power, nominal voltage, nominal current, power factor, phase number, frequency, insulation class, protection class, weight, production date, size (length × width × height) and standard number.

		<b>DIESEL ENGINE GENERATOR</b> <b>GENERADOR A DIESEL • GERADOR A DIESEL</b>	
Model / Modelo			
Code / Código / Código			
Nominal Power / Potencia Nominal / Potência Nominal			
Maximum Power / Potencia Maxima / Potência Máxima			
Nominal Voltage / Voltage Nominal / Tensão Nominal			
Nominal Current / Corriente Nominal / Corrente Nominal			
Gross Weight / Peso Bruto			
Nominal Frequency / Frecuencia Nominal / Frequência Nominal			
Nominal Speed / Velocidad Nominal / Velocidade Nominal			
Number of Phases / Numero de Fases / Número de Fases			
Protection Degree / Grado de Protección / Grau de Proteção			
Power Factor / Fator de Potencia / Fator de Potência			
Energy Efficiency / Eficiencia Energética			
Manufacturing Data / Fecha de Fabricación / Data de Fabricação			
Maximum Altitud / Altitud Maxima / Altitude Máxima			
Maximum Environment Temperature / Temperatura Ambiente Maxima Temperatura Ambiente Máxima			
Serial Number / N° Serie			

**Figure 2-1 Typical Nameplate**

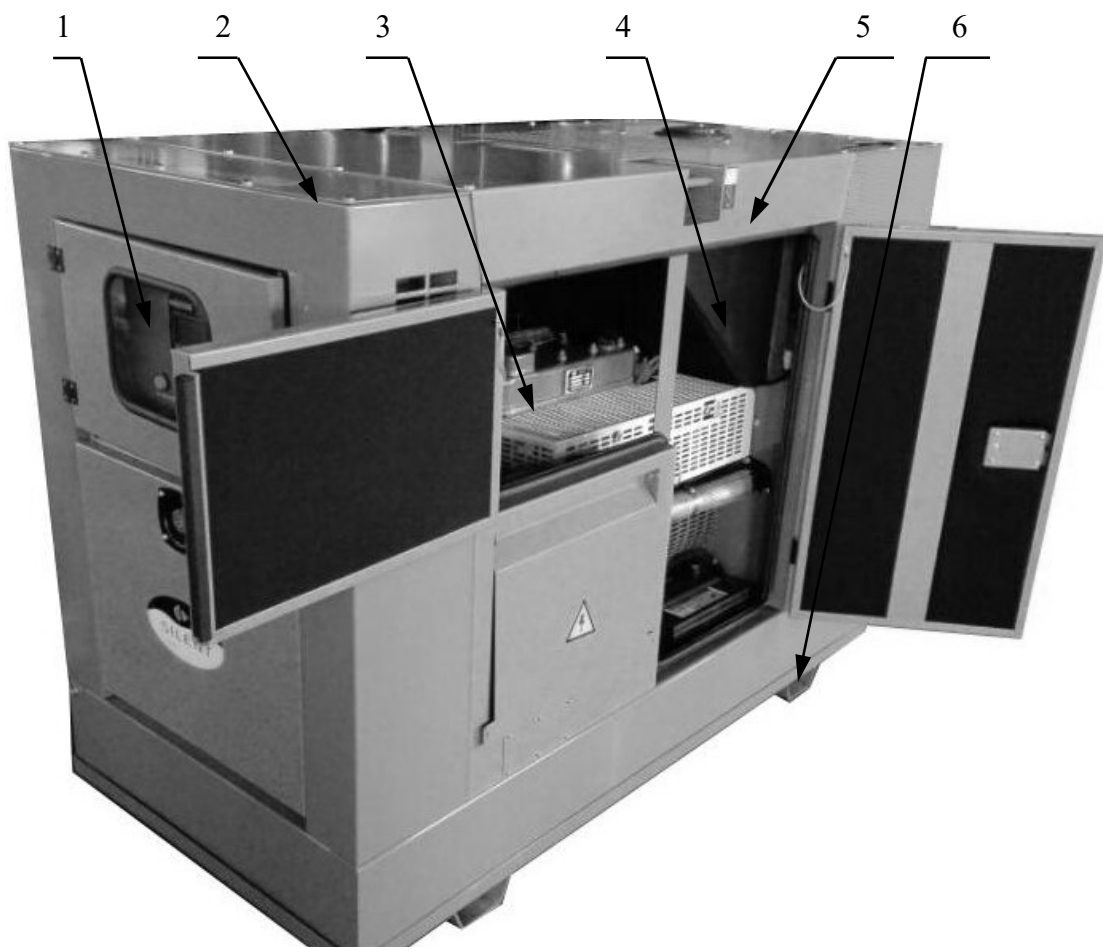
Record the numbers on your generator set nameplate in Figure 2-2 so that they are easy to find when needed. Every character in these numbers is significant. We need these numbers in order to determine the components that were included with the generator set. This permits accurate identification of replacement part numbers.

<b>Model:</b>	<b>Maximum Power:</b>	kVA	<b>Rated Power:</b>	kVA
<b>Power Factor:</b>	<b>Weight:</b>	kg	<b>Phase Number:</b>	<b>NO.:</b>

**Figure 2-2 Record Numbers Here**

## 2.2 Diesel Genset

Our Generator Set has been designed as a complete package to provide superior performance and reliability. Figure 2-3 identifies the major components. Due to individual applications, your generator set may appear different from the illustrations.



**Figure 2-3 Diesel Generator Sets**

- 1. Control Cabinet**
- 2. Alternator**
- 3. Diesel Engine**
- 4. Radiator**
- 5. Silent Cabinet**
- 6. Common Base (Base Fuel Tank)**

### 2.3 Engine

The diesel engine which powers the generator is specifically designed for power generation. It has high reliability. The engine is of the heavy duty industrial type with 4 stroke compression ignition and is fitted with all accessories to provide a reliable power supply. These accessories include, among others, a cartridge type dry air filter and a mechanical or an electronic engine speed governor. The engine uses forced lubrication via gear pump and special paper cartridge type filters. The lubricant cooling is generally via heat exchanger.

### 2.4 Alternator

The alternators are of brushless rotating field design and utilize three-phase full-wave excitation and regulation. They are self-excited with excitation power derived from the main output windings. They are also available with specific windings and a transformer controlled excitation system. The alternators have four poles and twelve lead configurations. The alternators can produce either 50Hz or 60Hz electrical power under normal working conditions. The alternators use Wye Configurations. Figure 2-4 is voltage configuration which illustrates the proper connection and lead identification. The leads are numbered clockwise from top and from the outside inward.

Connection diagram	L. L Voltage		Factory connection
	50Hz	60Hz	
	380-415	380-480	
	-	380-416	
Star type series, three phase four lines, Terminals (U, V, W, N)			
	50Hz	60Hz	
	190-208	190-240	
	-	190-208	
Star type parallel, three phase four lines, Terminals (U, V, W, N)			

**Figure 2-4 Voltage Configuration**

### 2.5 Radiator

The engine cooling system is water cooled. The water cooled system is composed of a radiator, a fan and a thermostat. The generator has its own internal fan to cool the generator components.

### 2.6 Base Fuel Tank

The engine and alternator are coupled together, and mounted on the base frame with vibration isolators. The base frame includes a capacity of 8, 12 or 24 hours base fuel tank. The base fuel tank is equipped with a filling cover and a fuel level gauge. It also is connected to the engine inlet pipe and overflow pipe with hoses.

## 2.7 Mute Cabinet

Super Silent Diesel Genset owns significantly low noise performance. The noise is limited to 63 dB (seven meters away from set). The silent cabinet is made of 2.5mm thick cold rolled steel sheet and 5cm thick sound-absorbing sponge. Hoisting on the top of silent cabinet is available.

## 2.8 Silencer

The silencer and exhaust system reduce the noise emission from the engine. Exhaust gases are discharged into atmosphere through a silencer. Rain proof and condensation proof equipment shall be provided to prevent water entering the silencer and the engine. The silencer is made of carbon steel and supplied with industrial or residential type.

## 2.9 Control System

The control systems and panels are used for controlling the operation and output of the set, and protecting the set from possible malfunctions. Due to individual applications, the control systems and wiring are different. Refer to the electrical wiring diagrams of the end of this manual, or specific control manuals and wiring diagrams. Please contact us if you have any doubts.

## 3. OPERATION

### 3.1 Receipt of the Genset

When you receive the generator set, check the generator set whether it is in good condition or not and all equipments are given or mounted. If the generator set is not installed immediately, store the generator in a clean, dry and vibration-free area.

#### NOTICE

If you find any missing or broken parts, contact us.

If the generator set is received during cold weather, allow the unit to reach room temperature before removing the protective material.



#### WARNING

If you remove the protective material before the unit reaching room temperature, the water may condense on cold surfaces. It may cause early failures due to wet windings and insulating materials.

### 3.2 Product Lifting

In order to ensure personal safety and prevent damage to the product when you lifting generator sets, we strongly recommend the guidelines:

- ◆ The hoisting devices are appropriate for the required tasks.
- ◆ The slings are correctly positioned in the lifting lugs provided or the fork lift arms are positioned centrally under the frame.
- ◆ The ground is able to withstand the weight of the generator set and the hoisting device.



#### WARNING

Improper lift rigging can allow unit to tumble causing injury and damage.

The hoisting devices mainly include crane and lift truck. See Figure 3-1 and 3-2.

### 3.2.1 Slings

Slings introductions are shown as below:

- 1) Attach the hoisting device slings to the lifting lugs on the generator set base frame or mute cabinet.
- 2) Slowly tighten the slings and make sure that the slings are evenly attached and strong enough.
- 3) Slowly hoist the generator set.
- 4) Move the set to the chosen site and place in position.
- 5) Bring it down slowly while maintaining it in the right position.
- 6) Loosen the slings, unhook and remove the shackles.

### 3.2.2 Forklift

The introductions of forklift lifting are shown as below:

- 1) Position the arms of the lift truck under the center of the generator set base frame.
- 2) Lift and move the set slowly to the chosen site, making sure that the genset is in balance on the fork.
- 3) Set down the generator set in its final position.

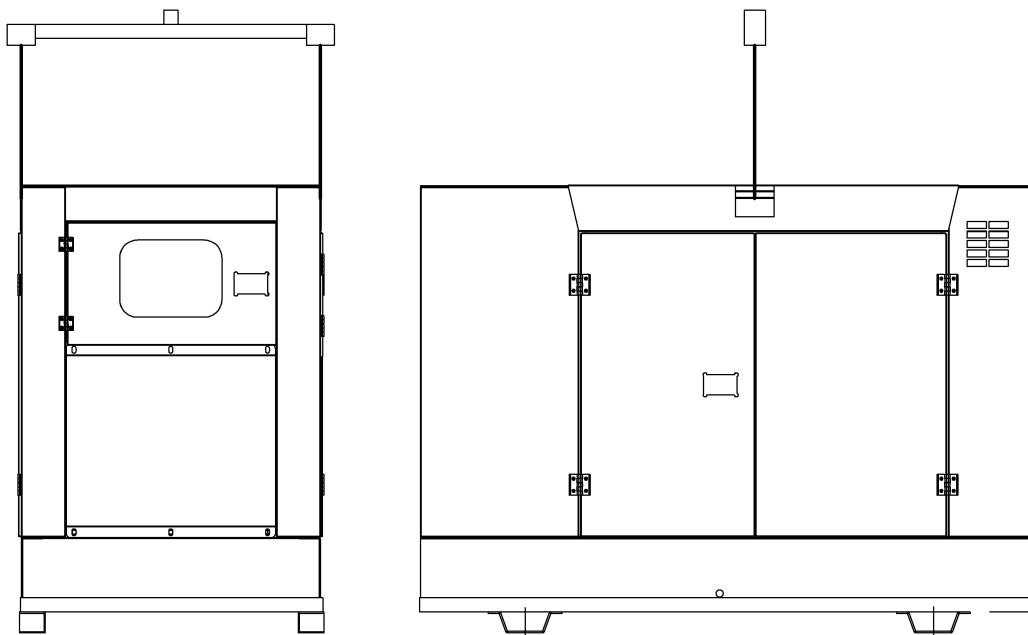


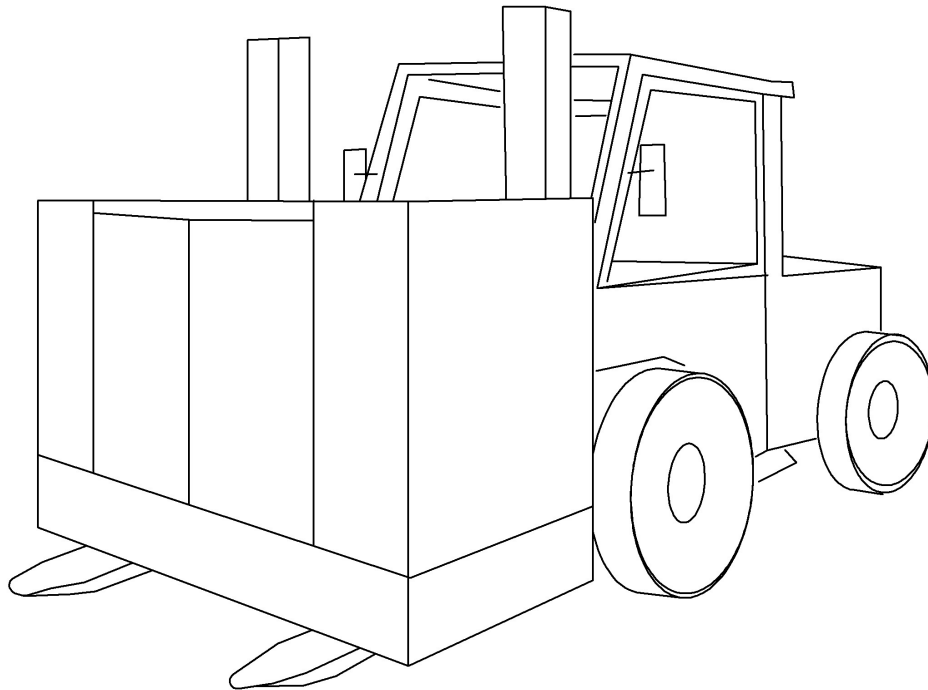
Figure 3-1 Lifting the Genset by Slings



**CAUTION**

Do not use the engine lifting eyes or the generator lifting eyes to lift the entire set.





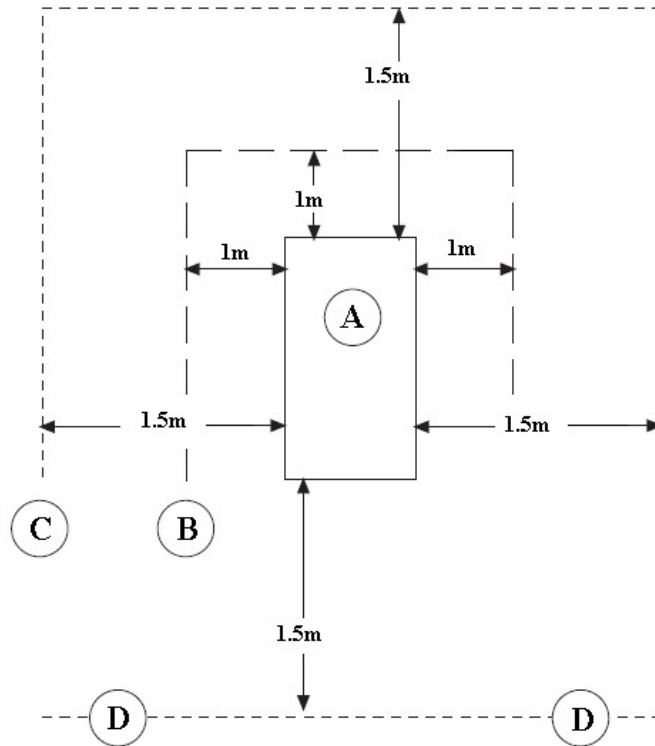
**Figure 3-2 Lifting the Genset by Forklift**

### **3.3 Installation**

#### **3.3.1 The Location of the Generator Set**

The location of the generator set must comply with all regulations. Locate the generator set in the area which meets the requirements of clean, dry, well ventilated and easily accessible for inspection or maintenance. The location of the generator set must be adequate for supporting the weight of the generator set and accessories, and resistance to dynamic loading. It is also required to reduce transmission of vibration and noise.

If the generator set is exposed to different environmental conditions (extreme cold or extreme heat), the generator set can be modified in order of all filters and heaters. In addition, a stricter periodic maintenance schedule should be established .



**Figure 3-3 Clearances around the Generator Set for Cooling, Service and Maintenance**

The clearances around the generator set for cooling, service and maintenance are shown in Figure 3-3. The clearance above the set is at least 2 meters. A is the generator set. B is non-combustible material with fire resistant rating of 1 hour or greater. C is combustible material or structure with a fire resistance rating of less than 1hour. D is any structure or material.



**WARNING**

Do not connect B and/or C to D or else, it may cause fire.

**3.3.2 Air Requirements**

When installing the generator sets, great care must be taken to ensure adequate ventilation. Proper installations require enough ventilation to cool the generator set as well as supply adequate air for combustion. The air intake and exhaust should be in line to provide engine room ventilation air flow which will parallel the generator set air flow over the engine, through the generator and the radiator. The inlet and outlet openings must be large enough to provide the volume of air required by the generator set.

**3.4 Product Storage**

Long time storage is harmful to both engine and generator. It can minimize the harm by properly preparation and storage of the generator set.

### 3.4.1 Engine Storage

- 1) If the engine is to be put out of service for a long period of time, it is necessary to drain out fuel, oil and coolant when the engine is still warm after stopping the engine.
- 2) Disconnect the start battery cable (the cathode first).
- 3) Remove sludge and dust from outer surface of the engine. Smear anti-rust oil onto exposed machined surface of the parts of the engine. It is forbidden to smear the rubber plastic components with oil.
- 4) Wrap up the intake and exhaust manifolds properly with plastic cloth in order to keep the dust from getting in.
- 5) The engine should be stored in the room of good ventilation, low humidity and without dust. It is prohibited to store the engine in the room which has stored chemicals. The preservation according to the above procedure could be well for three months. Then, repeat this procedure over this period.
- 6) Attach a warning tag on the engine which contains the following information: Storage Date; Coolant has been drained; Engine is forbidden to operate.
- 7) Remove the anti-rust oil before the set is put into use.

### 3.4.2 Generator Storage

The moisture tends to condense in the windings when the generator is in storage. In order to minimize condensation, store the generator in the dry storage area. If possible, use space heaters to keep the windings dry. It is essential to check the insulation of the windings after removing the generator from storage.

### 3.4.3 Battery Storage

When storing the batteries, it should receive a refreshing charge every 4 weeks up to a fully charged condition.

## 3.5 Electrical Requirements

### 3.5.1 Batteries

Generator sets use electrical starting system. The power supply of the starting system is 12 or 24VDC battery. The starting voltage is determined by the brand and power of the engine. In order to reduce the starting current and the size of the cable, high-power engine uses 24VDC.



#### WARNING

Never disconnect the charging unit circuit or battery cable from the battery when the charging unit is operating. The spark may cause fires.

### 3.5.2 AC Power Output Wiring

All wiring must be in accordance with applicable electrical codes. Wires must be of adequate size, properly insulated and supported in an approved manner. Ensure that all devices are properly grounded.



#### DANGER

Accidental contact with electrical equipment can cause severe injury and death if

the equipment is not properly grounded.

### 3.5.3 Visual and Audible Alarm

An external indicator or audible alarm can be wired to the generator set. Make sure that external fault indicator or audible alarm is rated for 2 amperes maximum and 12 or 24VDC depending on the DC voltage of the system. The indicator will become illuminated or the alarm will sound when an overcrank, low oil pressure, high coolant temperature or overspeed condition occurs.

## 3.6 Engine Starting

### 3.6.1 Before Starting Engine

Perform the required daily maintenance and other periodic maintenance before the engine is started. Inspect the engine compartment. This inspection can help prevent major repairs at a later date.

- ◆ In order to maximize the service life of the engine, make a thorough inspection before starting the engine. Look for the following items: oil leaks, coolant leaks, loose bolts, and trash buildup. Remove trash buildup and arrange for repairs, as needed.
- ◆ Inspect the cooling system hoses for cracks and lose clamps.
- ◆ Inspect the alternator and accessory drive belts for cracks, breaks, and other damage.
- ◆ Inspect the wiring for loose connection and wear.
- ◆ Check the fuel supply. Drain water from the water separator (if equipped). Open the fuel supply valve.

#### CAUTION

All valves of the fuel return line must be open before and during engine operation to prevent high fuel pressure. High fuel pressure may cause filter housing failure or other damage.

If the engine has not been started for several weeks, the fuel may have entered the filter housing. Also, when fuel filters have been changed, some air pockets will be trapped in the engine. In these cases, prime the fuel system.

#### WARNING

Engine exhaust contains products of combustion which may be harmful to your health. Always start and operate the engine in a well ventilated area and, if in an enclosed area, vent the exhaust to the outside.


- ◆ Do not start the engine if there is a “DO NOT OPERATE” warning tag or similar warning tag attached to the start switch or the controls.
- ◆ All of the guards must be put in place. Check damaged guards and missing guards. Repair the damaged guards. Replace damaged and/or missing guards.
- ◆ Check the battery and cables for poor connection.
- ◆ Reset all of the shutoffs or alarm components.

- ◆ Check the oil level. Maintain the oil level between the “ADD” and the “FULL” mark on the oil level gauge.
- ◆ Maintain the coolant level within 30 mm of the bottom of the filler pipe.
- ◆ Observe the air cleaner service indicator (if equipped). Service the air cleaner when the yellow diaphragm enters the red zone or the red piston locks in the visible position.
- ◆ Remove any electrical loads.

### 3.6.2 Engine Starting

The startup modes of the engine mainly include automatic mode and manual mode. Please refer to the relevant controller manual for detailed information.

### 3.6.3 Cold Weather Starting

 <b>WARNING</b>
<p>Do not use ether (starting fluids) unless specifically instructed to do so. Do not use ether if the engine is equipped with an air inlet heater (electrically or fuel ignited manifold heater). The use could cause personal injury and/or engine damage.</p>

The use of jacket water heater can improve the engine startability at temperature below 10°C(50°F). This can help reduce white smoke and misfire during startup in cold weather.

### 3.6.4 After Starting Engine

Check the abnormal noise or vibration of the generator set.

Check the leakage of the exhaust system.

Monitor the generator set operation by way of the control module.


Check the engine temperature and oil pressure. The oil pressure must reach the normal value after normal running of the generator set.

Monitor the outlet voltage and frequency of the generator set.

If not equipped with jacket water heater, operate the generator set at no-load for 8 minutes before applying the load (manual mode).

### 3.6.5 Loading the Generator Set

The power rating (kW) on the generator set nameplate determines how much electrical load (motors, fans, heaters, air conditioners, appliances, etc.) the generator set can power. If the sum of the concurrent electrical loads exceeds the rating power of the generator set, the generator will shut down or the circuit breaker will trip. Each phase of the generator set should carry the same load. If one phase current exceeds the nameplate amperage, the electrical unbalance will cause electrical overload and overheating.

 <b>CAUTION</b>
<p>When a large motor or air conditioner is started or cycles on and then on again, even if the total electrical loads is less than the power rating of the generator set. It is because that the startup load is much bigger than its running load.</p>

During no load operation of generator set, the cylinder temperature drops to the point which the fuel could not burn completely, causing fuel wetting and white smoke. It is recommended to shorten the no-load operation time and run the generator set at 1/4 to 3/4 loads.

The generator set is rated at the standard barometric pressure, humidity and temperature (Please refer to ISO3046). Either low barometric pressure (high altitude) or high ambient temperature will decrease the power of the generator set.

The power of the alternator is subject to reduction of 3% for every 500 meters by which the operating altitude exceeds 1000meters above mean sea level. The power of the alternator is subject to reduction of 3% for every 5°C by which the operating ambient temperature exceeds 40°C.

 <b>CAUTION</b>
Requirement for operating in an ambient exceeding 60°C must be referred to the factory.


### 3.7 Engine Stopping


#### 3.7.1 Emergency Stopping



**Figure 3-2 Typical Emergency Stop Button**

Push the emergency stop button in the event of an emergency. The generator set will not start when the button is locked. Turn the button clockwise in order to reset.

 <b>CAUTION</b>
Emergency stop button is only for emergency situation. Do not use the emergency stop button for normal stopping procedure.

 <b>CAUTION</b>
Do not start the engine until the problem necessitating the emergency stop has been found and corrected.

#### 3.7.2 Manual Stop Procedure

Due to individual applications, the control systems are different. Ensure understanding the shutoff procedures. Use the following general guidelines to stop the generator set.

- 1) Disconnect all electrical loads. Run the generator set without load and cool down.

- 2) In order to stop the generator set, press the “STOP” button on the control panel or turn the startup key to “OFF” position.

### 3.7.3 After Stopping Engine

- ◆ Check the engine crankcase oil level. Maintain the oil level between the “ADD” and “FULL” marks on the oil level gauge.
- ◆ Allow the engine to cool. Loosen the cooling system filler cap slowly to relieve the pressure. Remove the cap and check the coolant level.
- ◆ Repair the leaks and tighten the loose bolts.
- ◆ Notice the reading of the service hour meter. Perform the maintenance which is scheduled in the “Maintenance Interval Schedule” of this manual. If it is expecting the freezing temperatures, check the coolant for protection against freezing. The cooling system must be protected against freezing to the lowest expected outdoor temperature. If necessary, all more coolant/water mixture.

## 3.8 Lubricant, Fuel and Coolant Recommendations

### 3.8.1 Lubricant Recommendations

The lubricant should meet the requirements of the genset. Choose different types of oil according to the requirements of the diesel engine and regional environment temperature. Due to individual applications, different generator sets are equipped with different engines. Please refer to the attached manual for the engine lubricant.



Do not mix different types of lubricant!

### 3.8.2 Fuel Recommendations

The base fuel tank of the generator set supplies fuel to the engine. The fuel should meet the requirements of the genset. Choose different types of fuel according to the requirements of the diesel engine and regional environment temperature. Due to individual applications, different generator sets are equipped with different engines. Please refer to the attached manual for the engine fuel.



- ◆ The fuel must be clean and not contain any water.
- ◆ The fuel temperature is an important factor for proper working conditions of the engine. Due to the expansion of the fuel, Fuel temperature above 71°C will decrease the output power of the engine.
- ◆ In the line of fuel system, use of the water filter separators will reduce the corrosion of the injector and fuel pump.

### 3.8.3 Coolant Recommendations

Due to individual applications, different generator sets are equipped with different engines. Please refer to the attached manual for the engine coolant.



- ◆ The coolant water must be clean and free from contamination. Distilled water or deionized water is preferred.
- ◆ Antifreeze must be added to the coolant where there is any possibility of freezing to protect the engine from damage due to coolant freezing. We recommends a 1:1 mixture of water and glycol.

#### 4. MAINTENANCE AND TROUBLE SHOOTING

- ◆ Proper maintenance and service are very important to the reliable operation of your generator set and the safety of anyone who operate the generator.
- ◆ These service activities aim at maximization life of the generator, but shall not vary, extend or change the terms of the manufacture’s standard warranty or your obligations in the warranty.
- ◆ Each service interval is only a guide, and developed on the basis that the generator set was installed and is operated in accordance with the manufacturer’s guidelines. If the environmental conditions of the generator set’s installation and operation are adverse or abnormal, it needs more frequent service intervals. The generator set should be continually monitored between services to identify any potential failure modes, signs of misuse, or excessive wear and tear.
- ◆ Control and maintenance works indicated in the periodical maintenance schedule must be carried out completely and timely. The failures due to incomplete and timely maintenance are not cover by the warranty.

##### 4.1 Recommended Maintenance Schedule of Engine

The Maintenance Interval Schedule of the engine shows the recommended service modes and activities in table row, grouped by the engine subsystem. The service frequency is given in running hours or time interval, whichever is sooner. A tick (√) in the cells where a row intersects the columns shows when the service is required.

**Table 4-1 Recommended Service Schedule of the Engine**

System	Service Mode	Service Activity	Daily or every 20 hours	Weekly	Monthly	3 Month s or 100 hours	6 Month s or 200 hours	12 Month s or 800 hours	24 Month s or 2000 hours
Lubrication system	Check	Any leakage	√	√	√	√	√	√	√
		Oil level	√	√	√	√	√	√	√
		Engine oil pressure	Every 12 months						
	Replace	Oil filter					√	√	√
		Oil					√	√	√
		Oil and oil filter	The oil and oil filter of the new or overhauled engine need to be replaced for the first 50 hours						



	Clean	Breather of crankcase					√	√	√
Cooling system	Check	Any leakage	√	√	√	√	√	√	√
		Each blocks of radiator			√	√	√	√	√
		Pipes and connectors			√	√	√	√	√
		Coolant level		√	√	√	√	√	√
		Anticorrosive and antifreeze			√	√	√	√	√
		Strap and its tightness degree				√	√	√	√
	Fan				√	√	√	√	
Replac e	Coolant	Every 12 months							
Clean	Cooling system								
Fuel system	Check	Any leakage	√	√	√	√	√	√	√
		Fuel level		√	√	√	√	√	√
		Nozzle of the fuel pump						√	√
		Pipes and connectors					√	√	√
		Fuel pump			√	√	√	√	√
	Replac e	Fuel filter					√	√	√
Clean	Drain water separator						√	√	
Air intake system	Check	Air inlet			√	√	√	√	√
		Air filter		√	√	√	√	√	√
		Pipes and connectors				√	√	√	√
	Replac e	Core of air filter					√	√	√
Exhaust system	Check	Any leakage			√	√	√	√	√
		Exhaust resistance							√
		Exhaust bolt			√	√	√	√	√
Electrical system	Check	Strap of the charger alternator and its tightness degree			√	√	√	√	√
		Battery		√	√	√	√	√	√
		Switch and alarm		√	√	√	√	√	√
		Connector of the starter						√	√
		Starter	Every 12 months						
	Alternator	Every 12 months							
Others	Check	Tightness with base frame						√	√
	Clean	Generator set					√	√	√
Operate the generator	Check	Startability		√					
		Color of the exhaust smoke		√					

set with no load for 5 minutes		Abnormal vibration		√					
		Abnormal noise		√					
		Abnormal smell		√					
		Parameters indication		√					
Operate the generator set with more than 1/2 load for 15 minutes	Check	Startability				√	√	√	√
		Color of the exhaust smoke				√	√	√	√
		Abnormal vibration				√	√	√	√
		Abnormal noise				√	√	√	√
		Abnormal smell				√	√	√	√
		Parameters indication				√	√	√	√

#### 4.2 Recommended Maintenance Schedule of Generator

The Maintenance Interval Schedule of the generator shows the recommended service modes and activities in table row, grouped by the generator subsystem. The service frequency is given in running hours or time interval, whichever is sooner. A tick (√) in the cells where a row intersects the columns shows when the service is required.

System	Service mode	Service Activity √=required *=if necessary	Generator running	Commission	250 hrs/0.5 year	1000 hrs/1 year	10000 hrs /2 years	30000 hrs/5 years
Generator	Check	Generator rating		√				
		Bedplate arrangement		√				
		Coupling arrangement		√			*	√
		Environmental conditions and cleanliness		√	√	√	√	√
		Complete machine-damage, loose parts & earth bonds		√	√	√	√	√
		Guards, screens, warning and safety labels		√	√	√	√	√
		Maintenance access		√				
		Test	Ambient temperature (inside & outside)		√	√	√	√
	Electrical nominal operating conditions & excitation		√	√	√	√	√	√
	Vibration		√	√	√	√	√	√

Windings	Check	Condition of windings		√	√	√	√	√
		Customer settings of temperature sensors		√	√	√	√	√
	Test	Insulation resistance of all windings (PI test for MV/HV)		√	*	*	√	√
		Insulation resistance of rotor and exciter			√	√		
		Temperature sensors	√	√	√	√	√	√
Bearings	Check	Condition of bearings		√				√
		Customer settings for temperature sensors		√				
	Test	Temperature sensors	√	√	√	√	√	√
	Replace	Bearings					*	√
Terminal Box	Check	All generator/customer connections and wiring		√	√	√	√	√
Controls & Auxiliaries	Check	Synchronisation settings		√				
	Test	Initial AVR & PFC set up	√	√				
		AVR & PFC settings	√		√	√	√	√
		Customer connection of auxiliaries		√		√	√	√
		Function of auxiliaries		√	√	√	√	√
		Synchronisation	√	√	√	√	√	√
	Replace	Anti-condensation					*	√
Rectifier	Check	Diodes and varistors		√	√	√	√	
		Three phase rectifier (if fitted)		√	√	√	√	
	Replace	Diodes and varistors						√
Cooling	Check	Air flow (rate & direction)	√	√				
		Condition of fan		√	√	√	√	√
	Test	Air inlet temperature	√	√	√	√	√	√
		Condition of air filter (if fitted)		√	√	√	√	√
	Clean	Condition of air filter (if fitted)				*	*	*
	Replace	Condition of air filter (if fitted)				*	*	*

### 4.3 Engine Trouble Shooting

**Table 4-3 Engine Troubling Shooting Table**

<b>Trouble symptom</b>	<b>The probable reason</b>	<b>Corrective action</b>
The unit can not be started	Capacity of the start-up battery is insufficient	Service the batteries (charge), and replace the batteries if necessary
	The control panel without access to electricity	Check whether the fuses on the control panel are fused.
	Some units (EFI) have powered up before passing self inspection.	Restart after resetting the controller(wait for 3~4s)
	Failure of starter relay	Replace the starter relay
	Failure of the starter	Troubleshooting, and replace if necessary
	The unit is stuck and could not be started by manual	Inspect thoroughly, and find the cause
The unit is difficult to start or start time is too long	Capacity of the start-up battery is insufficient	Service the batteries (charge), and replace the batteries if necessary
	Insufficient preheat before start	Check the preheat components
	The start accelerator potentiometer of some units equipped with electronic speed controller is too small	Refer to the attached manual of the electronic speed controller, and adjust the potentiometer properly.
	Temperature of unit is low	Jacket water heater is recommended
	Unit is located in plateau, and air is rarefied	Unit should idle for a while, then run at full speed
	Misuse the wrong type or grade of fuel	Replace the fuel.
	Fuel contains water	Replace the fuel, and water separator is recommended
	There is some air or no fuel in the fuel system	Prime the fuel system
	Fuel filter clogging	Periodic replacement of fuel filter
	Air intake system clogging	Periodic replacement of air filter
	Failure of fuel injection pump and nozzle (clogging)	Inspect the pump by authorized personnel. It is mostly caused by use of unqualified fuel for a long time.
	Failure of fuel transfer pump	Check and repair, replace if necessary.
	Failure of the electromagnetic valve for shut-down	Check and repair, replace if necessary.
	Exhaust system clogging	Check and troubleshooting
Failure of electronic speed controller	Check whether the controller is power on, replace if necessary.	
The unit can not keep running	Fuel contains water	Replace the fuel, and water separator is recommended
	There is some air or no fuel in the fuel system	Prime the fuel system

after starting	Fuel filter or air filter clogging	Periodic replacement
	Unit is located in plateau where the air is rarefied. And that the idle time is insufficient.	Extend the idle time properly in order to ensure warming up.
	Misuse the wrong type or grade of fuel	Replace the fuel.
Overspeed of the unit start-up	The start accelerator potentiometer and climbing speed potentiometer of some units equipped with electronic speed controller are not adjusted properly.	Refer to the attached manual of the electronic speed controller, and adjust the potentiometer of start accelerator and climbing speed properly.
	The protection value of overspeed is small.	Adjust the protection value of overspeed slightly, not more than 17%.
	Structure of mechanical speed control	Inspect whether the throttle lever is flexible, and ensure proper adjustments.
	Failure of fuel injection pump	Inspect the pump by authorized personnel.
Black exhaust smoke	Air intake system clogging	Periodic replacement of air filter
	Misuse the wrong type or grade of fuel	Replace the fuel.
	The engine temperature is too low.	Check again after the engine has reached normal temperature.
	Unit is located in plateau, and air is rarefied.	The engine located in plateau should be derating power running.
	High intake air temperature	The temperature of intake air should not be higher than 40°C.
	Fuel pipes and fuel filter clogging	Clean the fuel pipes and replace the fuel filter
	Turbocharger worn badly	Troubleshooting and replace if necessary.
	Incorrect valve clearances	Inspect and adjust the valve clearance.
Blue or white exhaust smoke	Injection timing is wrong.	Check the data of the injection pump and troubleshoot the pump by authorized personnel.
	Too much engine lubricant	Check the level of the lubricant.
	Wrong type or grade of lubricant used	Replace the lubricant and lubricant filter, and ensure use of correct lubricant.
	Wrong type or grade of fuel used	Replace the fuel and fuel filter, and ensure use of correct fuel.
	Leakage of cylinder head	Check the cylinder head and cylinder pad, and replace if necessary.
Overhaul period of the engine has been reached.	Engine overhaul	
Unit can not reach rated speed	Unit is overload.	Reduce the load, below the rated load.
	The wrong setup of the ECM potentiometer	Refer to the attached manual of the electronic speed controller, and adjust the potentiometer properly.
	Failure of electronic speed system	Troubleshooting and replace if necessary.
	The throttle lever of mechanical speed control is adjusted improperly (maybe	Inspect and adjust.

	loose).	
	Fuel pipes clogging	Inspect, and replace if necessary.
	The fuel contains water.	Replace the fuel, and water separator is recommended.
	Air filter, fuel filter and lubricant filter are not replaced in time.	Periodic replacement of air filter, fuel filter and lubricant filter
	Failure of the frequency meter	Replace
Speed instability	The throttle lever of mechanical speed control is loose.	Check and adjust to the correct position.
	Electronic speed controller is not adjusted properly.	Refer to the attached manual of the electronic speed controller, and adjust the potentiometer of "GAIN" and "STABILITY" properly.
	The regulating mechanism is out of control.	Troubleshoot by authorized personnel.
	The fuel system contains air or water.	Inspect and troubleshoot (replace the fuel).
	Load fluctuation intense	Control the load as smoothly as possible.
Vibration	The fuel system contains air or water.	Inspect and troubleshoot (replace the fuel).
	The air filter clogging	Periodic replacement of air filter, fuel filter and lubricant filter
	Too much lubricant, or wrong type and grade of lubricant used	Check the level of lubricant, or replace the lubricant and filter. Make sure that correct lubricant is used.
	The intake air temperature is too high.	The intake air temperature should not be higher than 40°C.
	Exhaust pipes clogging ( high back pressure)	Clean the exhaust pipes. Reduce the back pressure.
	Failure of fuel injection pump	Troubleshoot by authorized personnel.
	Incorrect valve clearances	Inspect and adjust the valve clearance.
	Damage of cooling fan	Inspect and repair, replace if necessary.
	The foundation of the unit is uneven, and the vibration dampers are not located in the right position.	Inspect and adjust the position.
The conditions of operation are adverse. The engine goes into the overhaul period ahead of time.	Engine overhaul	
The pressure of the lubricant is too low	The level of lubricant is improper.	Check the lubricant level, add or discharge.
	Wrong grade of lubricant	Replace the lubricant.
	The lubricant is not replaced for a long time.	Periodic replacement of the lubricant
	Lubricant filter clogging	Periodic replacement of the lubricant filter
	High oil temperature	Inspect and repair or replace the oil cooler.
	Crankshaft bearing is worn or damaged.	Troubleshooting and find the cause.

	Reducing valve is damaged.	Replace
	Suction filter of the oil sump is clogged.	Inspect and repair or replace the fuel suction pipe, and clean the fuel suction filter.
	Failure of the lubricant alarm switch (sensor) or meter	Check the control panel, meter and sensors. Repair or replace, and troubleshoot.
High engine coolant temperature	Insufficient coolant	Add more coolant.
	Radiator fin clogging	Troubleshoot and clean the radiator.
	Ventilation of radiator is not enough.	In order to ensure enough ventilation, increase the effective area of ventilation according to the requirements of installation.
	Cooling fan works improperly.	Inspect the tension of the fan belt, and replace if necessary.
	Failure of cooling fan	Service or replace.
	Failure of water pump	Service or replace.
	Failure of thermostat	Replace
	Failure of fuel injection pump	Service or replace by the authorized personal.
	Injection timing is wrong.	Check the data of the injection pump and troubleshoot the pump by authorized personnel.
	High environment temperature	Keep the room ventilation, and reduce the temperature of the engine room properly.
	The unit overload seriously.	Control the load, and long time operation of overload is prohibited.
	Failure of the lubricant alarm switch (sensor) or meter	Check the control panel, meter and sensors. Repair or replace, and troubleshoot.
High fuel consumption	External or internal fuel leak	Inspect and eliminate leak.
	Air filter clogging	Periodic replacement
	Unit is located in plateau, and air is rarefied.	The engine located in plateau should be derating power running.
	Low engine temperature	Troubleshooting
	The unit overload seriously.	Control the load, and long time operation of overload is prohibited.
	Exhaust pipes clogging ( high back pressure)	Clean the exhaust pipes. Reduce the back pressure.
	Injection timing is wrong.	Check the data of the injection pump and troubleshoot the pump by authorized personnel.
	Incorrect valve clearances	Inspect and adjust the valve clearance.
	The engine goes into the overhaul period.	Engine overhaul
High lubricant consumption	Lubricant leak	Inspect and eliminate leak.
	Wrong type or grade of lubricant used	Replace the lubricant and lubricant filter, and ensure use of correct lubricant.
	Seal and bearing of the turbocharger is worn.	Service and replace.

	Serious wear of the piston, cylinder jacket and crankcase	Troubleshoot, and overhaul if necessary.
Not enough power	Overload	Reduce the load.
	Unit located in plateau will cause underpower.	It is need to revise the power of the unit when the altitude is more than 1000 meter.
	The fuel pipes are too small, or the fuel filter is clogged.	Enlarge the diameter of the fuel pipes. Replace the fuel filter.
	Wrong type or grade of fuel used	Replace the fuel and fuel filter, and ensure use of correct fuel.
	Return pipe clogging or exhaust vent of the fuel tank clogging	Check and troubleshoot.
	Exhaust pipes clogging ( high back pressure)	Inspect the exhaust pipes. Reduce the back pressure.
	Insufficient intake air ( air filter clogging )	Periodic replacement of the air filter
	High temperature of intake air ( engine room )	Keep the engine room ventilation. Reduce the temperature of the intake air properly.
	High temperature of fuel	Try to control the temperature of the input fuel. It must be lower than 70°C.
	Failure of fuel injection pump or speed control system	Service or replace by the authorized personnel.
	Failure of turbocharger impellers	Service or replace.
	Incorrect valve clearances	Inspect and adjust the valve clearance.
	Injection timing is wrong.	Check the data of the injection pump and troubleshoot the pump by authorized personnel.
The engine goes into the overhaul period.	Engine overhaul	
The unit can not stop	Failure of the electromagnetic valve for shut-down	Check whether the wiring is correct, and replace if necessary.
	Failure of electronic speed controller and mechanical speed controller	Service by the authorized personnel.
	Failure of the control instruments	Service or replace.
	Failure of the control system	Service by the manual of the control system.
Failure of power distribution air switch	Automatic tripping of the air switch	overload
		Trip by parallel control.
		It is need to service and replace for the failure of the air switch.
	The air switch can not be switched on.	It is need to switch on the air switch after tripping for overload or short circuit.
		Parallel control. It can not be switched on if they are not synchronization.
		It is need to service and replace for the failure of the air switch.



Failure of control panel	The control panel detects failure of the unit and then alarms and shuts down.	Troubleshoot, and restart after reset.
	Mains failure. The unit cannot start up.	There is no start signal. Inspect and troubleshoot.
		The instruments of the self-starting engine must be power-on and work in auto mode.
		The control wiring is wrong. Inspect and Correct.
		The instruments of the self-starting engine malfunction. Service or replace.
	Mains is normal, but the unit can not shut down.	Cooling operation for 3 to 5 minutes.
		Check ATS.
		Check connections between ATS and controller.
	RS485 failure	Confirm whether the unit is in accordance with the configuration of the remote sensing, remote communication and remote control.
		Check connections.
Check if COM port is correct.		
Check if A and B of RS485 is connected reversely		
Check if PC COM port is damaged		

#### 4.4 Generator Trouble Shooting

##### 4.4.1 Self-excited AVR - OFF LOAD

**Table 4-4 Fault Finding: Self-excited AVR-Off Load**

<b>Trouble symptom</b>	<b>The probable reason</b>	<b>Corrective action</b>
No voltage (no load)	Voltmeter of the panel is not connected or faulty.	Test voltage at generator terminals with a multimeter.
	Connections are loose, broken or corroded.	Inspect all terminals of auxiliary board. Inspect AVR push-on terminals. Repair, or replace if necessary.
	There is no residual magnetism in the laminated steel core of the exciter stator. When generator starts, residual magnetism gives excitation to provide sufficient sensing voltage (at least 3.5V) to power a self-excited AVR. The residual magnetism may disappear in the following cases: 1、 Long time storage. 2、 “Flashing” with wrong battery	Restore magnetism of the exciter stator: 1、 Operate the no-load generator at rated speed. 2、 Attach the leads to a 12VDC battery with a diode in one lead. 3、 Briefly(maximum 1s) connect the positive lead to the AVR terminal X+(F1) and negative lead to AVR terminal XX-(F2). Caution: The AVR will be damaged if it is connected with wrong polarities and no diode.

	polarities causes reverse of magnetic field. 3、 Exciter stator is rewind. 4、 Mechanical shock.	
	The insulation of exciter stator is poor.	Test the insulation of exciter stator windings.
	The insulation of main stator is poor.	Test the insulation of main stator windings.
	Short circuit of varistor on rotating rectifier	Test varistor.
	Short circuit of diodes on rotating rectifier	Test diodes.
	Windings fault. Open circuit or short circuit of any winding.	Test windings.
	AVR fault	Replace AVR and re-test.
	Load is applied to the engine during start up of engine.	The voltage may not build up before the load is disconnected from the engine. Open circuit breaker and re-test.
	No power supply from main stator to AVR	Test the AVR sensing supply feedback.
Low voltage (no load)	Low engine speed	Test speed with tachometer. Adjust governor control to nominal speed.
	Under frequency protection (UFRO) circuit activated.	Inspect UFRO led at AVR. If it is lit, UFRO is activated, indicating low speed. Adjust engine speed, to within -1% to +4% of nominal.
	AVR volt control, or external hand trimmer are incorrectly set.	1、 Test engine speed with tachometer whether it is correct. And conform whether the UFRO is OFF. 2、 Adjust voltage by AVR volts control, or remote trimmer.
	Panel voltmeter is faulty or sticking.	Test voltage at generator terminals with a multimeter.
	AVR fault	Replace AVR and re-test.
	Connections are loose, broken or corroded.	Inspect the wiring for poor connections. Repair or replace where necessary.
	No power supply from main stator to AVR	Test the AVR sensing supply feedback.
High voltage (no load)	Voltage sensing input to AVR is open circuit or too low.	Test the AVR sensing supply feedback.
	AVR volt control, or external hand trimmer are incorrectly set.	1、 Test engine speed with tachometer whether it is correct. And conform whether the UFRO is OFF. 2、 Adjust voltage by AVR volts control, or remote trimmer.
	Fault of sensing supply circuit	Test the AVR sensing supply feedback.

	transformer (4 or 6 wire generators) or sensing module (PCB).	
	AVR fault	Replace AVR and re-test.
	Connections are loose, broken or corroded.	Inspect all terminals of auxiliary board. Inspect AVR push-on terminals. Repair, or replace if necessary.
Unstable voltage (no load)	Engine governor is unstable (hunting).	Test engine speed stability with a frequency meter or tachometer. Sometimes this problem will be cleared when load is applied.
	AVR stability control is incorrectly set.	Inspect links of AVR stability. Adjust the stability potentiometer.
	Connections are loose, broken or corroded.	Inspect all terminals of auxiliary board. Inspect AVR push-on terminals. Repair, or replace if necessary.
	Intermittent earth (low resistance of windings insulation)	Test the insulation resistance of all windings.
	AVR components are broken or corroded.	Replace AVR and re-test.
	Fault or vibration of panel voltmeter	Test voltage at generator terminals with a multimeter.
Unbalanced voltage (on -load)	Fault of main stator windings	Test the main stator windings.

#### 4.4.2 Self-excited AVR - ON LOAD

**Table 4-5 Fault Finding: Self-excited AVR-On Load**

<b>Trouble symptom</b>	<b>The probable reason</b>	<b>Corrective action</b>
Low voltage (on load)	Low engine speed	Test speed with tachometer. Adjust governor control to nominal speed.
	Under frequency protection (UFRO) circuit activated.	Inspect UFRO led at AVR. If it is lit, UFRO is activated, indicating low speed. Adjust engine speed, to within -1% to +4% of nominal.
	No power supply from main stator to AVR	Test the AVR sensing supply feedback.
	AVR fault	Replace AVR and re-test.
	Fault of windings or rotating diodes	Test windings or rotating diodes.
	Voltage drop between generator and load, due to $I^2R$ losses in the cable. It will be worse during current surges (e.g. motor starting).	Test voltage at both ends of the cables at full load. In severe cases, a larger diameter cable is need.

High voltage (on load)	Unbalanced load	Test voltages on all phases. If it is unbalanced, re-distribute load between phases.
	Leading power factor load (capacitor banks).	Test excitation volts between X+(F1) and XX-(F2). A leading power factor will give an abnormally low DC excitation. Remove power factor correction capacitors from system at low load.
	Reverse of parallel droop current transformer	Check for droop reversal.
Unstable voltage (on load)	Engine governor is unstable (hunting)	Test engine speed stability with a frequency meter or tachometer for governor hunting, or cyclic irregularities in the engine.
	Leading power factor load caused by power factor correction capacitors	Isolate the power factor correction capacitors before sufficient inductive load has been applied.
	Fluctuations of load current (motor starting, or reciprocating loads)	Test the load current on a stable supply, i.e. mains.
	AVR stability control is adjusted incorrectly.	Adjust AVR control until voltage is stable.
Poor voltage regulation (on load)	Large speed droop of the engine. AVR UFRO protection is activated.	Test the speed droop from no load to full load is not larger than 4%. Inspect AVR led. If it is lit, increase engine speed.
	Unbalanced load	Test voltages and load currents on all phases. If they are unbalanced, re-distribute load between phases.
	Parallel droop circuit incorrectly adjusted, or requires shorting switch for single running.	The droop circuit will give additional voltage droop of -3% at full load 0.8 power factor. For single running machines this can be removed by fitting a shorting switch across the droop CT input, (S1-S2), on the AVR.
	Voltage drop between generator and load, due to $I^2R$ losses in the cable. It will be worse during current surges (e.g. motor starting).	Test voltage at both ends of the cables at full load. In severe cases, a larger diameter cable is needed.
	Fault of rectifier or excitation winding	Test rectifier or excitation winding.
	AVR under frequency protection circuit (UFRO) activated.	Check UFRO led. If lit, UFRO is activated, indicating low speed. Test speed with tachometer and adjust to correct nominal speed or frequency.
Poor voltage response to load	Engine governor is sticking or slow to respond. AVR UFRO protection is activated.	Check the performance of engine during application of load. Check whether AVR led is lit during motor starting. Check whether AVR DIP or DWELL circuits are activated. Adjust if

surges or motor starting		necessary.
	AVR UFRO protection is activated.	Test the speed droop from no load to full load is not larger than 4%. Inspect AVR led. If it is lit, increase engine speed.
	Parallel droop circuit incorrectly set	Too much droop will increase voltage dips when motor starting. Fit shorting switch for single running generators.
	Load surges cause current to exceed 2.5 times of the full load current.	Test current with a clamp ammeter. Voltage dip may be excessive if the current exceeds 2.5 times of full load. Refer to factory for motor starting calculations.
	Voltage drop between generator and load, due to $I^2R$ losses in the cable. It will be worse during current surges (e.g. motor starting).	Test voltage at both ends of the cables at full load. In severe cases, a larger diameter cable is need.
	Motor contactors are dropping out during starting, (large current surges, voltage dips larger than 30%).	All causes and actions in this section may apply to this problem. Refer to factory for typical voltage dips.
	AVR stability control is incorrectly adjusted.	Set AVR stability control for optimum performance. Adjust anticlockwise until voltage is unstable, then slightly clockwise until stable.
	Fault of rectifier or excitation winding	Test rectifier or excitation winding.
	Engine relief circuit activated during motor starting.	Check whether AVR DIP or DWELL engine relief circuits are activated. Adjust if necessary. See AVR instructions for details.
	AVR fault	Replace and re-test on load.

## **WARRANTY TERM**

This product is guaranteed against defects in material and workmanship for a legal period of three (3) months from the date of issue of the respective Sales Invoice. We undertake to repair or replace, within the period mentioned, free of charge, parts that are recognized by the Technical Department as defective, upon approval of the Warranty Request.

This warranty is limited and non-transferable, valid only for the first purchaser and covers only the product, all damages and losses resulting from misuse of the equipment are excluded. Any freight/insurance and other costs will be borne by buyer. The following shall be excluded from the guarantee:

- Defects caused by use not in accordance with the instructions contained in the Owner's Manual; accidents (falling, fire, etc.); use of non-original parts and repairs and / or maintenance carried out by unauthorized workshops and / or technicians.
- Spare parts and natural maintenance such as spark plugs, lubricants, filters, fuel cap, starting cord, handles, seals, gaskets, safety devices and similar items.
- Parts that suffer from natural wear and tear due to friction such as piston, cylinder, piston rings, bearings, pins, rollers, connecting rod, crankshaft, springs, bushings, rotor and mechanical seals.
- Violated products.
- Products whose Certificate of Warranty is incorrectly filled in and / or without the Sales Invoice number.

**NOTE:** A breakdown during the warranty period does not entitle the buyer to stop payment, or discounts

**IMPORTANT:** Keep the Sales Invoice, the Product Warranty Certificate and present them when you need technical assistance.

**ATTENTION:** Read the owner's instruction manual and all warnings of danger and attention before operating the equipment.

## PROLOGO

Gracias por comprar este Producto TOYAMA.

Este manual cubre la operación y el mantenimiento de este producto. La información y las especificaciones incluidas en esta publicación son efectivas para la fecha de aprobación de impresión. Ninguna parte de esta publicación puede ser reproducida sin autorización. Este manual debe ser considerado parte permanente del producto y debe mantenerse con el producto en caso de ser revendido. Algunos detalles podrán cambiar dependiendo del modelo.

Conserve este manual a la mano para que usted se pueda referir a él en cualquier momento.

En caso de presentarse algún problema, o si usted tienen alguna pregunta sobre el producto, contacte a su distribuidor TOYAMA.

## INTRODUCCIÓN

Este manual contiene informaciones e instrucciones de instalación, servicio y mantenimiento para del grupo electrógenos.

Antes de operar el generador, lea el manual. El mal uso o incumplimiento de las instrucciones, o el uso distinto al previsto, o el remplazo o la adaptación de piezas no originales, puede anular la garantía del producto y además ocasionar accidentes graves.

Este manual es una parte integral del producto, y su lectura y comprensión es fundamental. Asegúrese de que el diseñador de la instalación, técnico de mantenimiento y demás personas del grupo de electrógenos tengan acceso a este manual.

Debido a solicitudes individuales, el grupo de electrógenos puede parecer diferentes de las ilustraciones.

Este manual está destinado a técnicos y especialistas en grupo de electrógenos. En caso de duda, consulte un servicio técnico calificado en grupo de electrógenos o entre en contacto con su distribuidor Toyama más cercano


### NOTA / NOTA


Toyama se reserva el derecho de cambiar el contenido de este manual sin previo aviso.


## 1. RECORDACIONES DE SEGURIDAD:

### 1.1 Símbolo y avisos de seguridad:

Este manual utiliza paneles indicadores para indicar peligro, atención y precaución, sus consecuencias y cómo evitar que ocurra un accidente. Los paneles de NOTA indican instrucciones importantes o críticas.

<b>PERIGO / PELIGRO</b> 
Peligro indica una situación de riesgo que, si no evitada, tiene un alto riesgo de causar la muerte o lesiones graves.

<b>ATENÇÃO / ATENCIÓN</b> 
Atención indica una situación de riesgo que, si no evitada, puede resultar en la muerte o lesiones graves.

<b>CUIDADO / CUIDADO</b> 
Cuidado indica una situación de riesgo que, si no evitada, puede resultar desde lesiones leves hasta moderadas.

<b>NOTA / NOTA</b>
Nota se refiere a un método u operación que puede causar daños al equipo o alertar para informaciones adicionales o explicaciones.

### 1.2 Protección contra quemaduras

No toque ninguna parte del motor mientras el motor está funcionando. Espere a que el motor se enfríe por completo antes de realizar cualquier mantenimiento. Elimine cualquier presión residual en el sistema de enfriamiento, suministro, sistema hidráulico antes de cualquier mantenimiento, desconexión o desmontaje en los sistemas.

### 1.3 Protección contra fuego y explosiones

Todos los combustibles y lubricantes y algunos refrigerantes son inflamables.

En caso de fuga de líquidos inflamables, si alcanzan superficies calientes, o incluso en contacto con componentes electrificados, pueden provocar llamas. Las llamas pueden causar accidentes y también quemar a las personas cercanas al generador.

Si el motor es abierto, en menos de quince minutos después de una parada de emergencia, puede provocar una explosión, debido a los gases / diesel acumulados bajo presión dentro del motor.

Confirme que el motor pueda funcionar en un entorno que permita la entrada de



gases combustibles al sistema de admisión de aire. Estos gases pueden dar como resultado una velocidad excesiva del motor. Puede causar accidentes, daños a la propiedad y fallas del motor.

No permita que ningún material inflamable se acumule en el motor. Retire todos los materiales inflamables como combustible, aceites y desechos del motor.

El combustible y los lubricantes deben almacenarse en contenedores debidamente marcados. No fume en áreas de almacenamiento de materiales inflamables.

No corte ni suelde en líneas y tanques que contengan líquidos inflamables. Antes de soldar, limpie bien las líneas y los tanques con solvente no inflamable.

Los cables eléctricos deben estar debidamente tapados y seguros. Revise los cables eléctricos todos los días. Repare los cables sueltos o desgastados antes de operar el motor. Limpie y apriete las conexiones eléctricas.

El generador debe estar adecuadamente regulado de acuerdo con las especificaciones.

No use alambres y cables más pequeños que el calibre recomendado. Nunca ignore fusibles y disyuntores.

Los arcos eléctricos y las chispas pueden provocar incendios. Las conexiones seguras, el cableado recomendado y los cables de batería mantenidos adecuadamente ayudarán a evitar arcos y chispas.

Inspeccione las mangueras por desgaste o deterioro. Las mangueras deben ser debidamente inspeccionadas y apretadas de acuerdo con el apriete recomendado. Las fugas pueden causar incendios.

Tenga cuidado y no fume cuando reabasteciendo el motor. Nunca recargue el motor cerca de materiales inflamables o chispas. Siempre pare el motor para reabastecer.

Los gases de la batería pueden explotar. Nunca fume en las áreas de carga de la batería.

Nunca cargue una batería congelada, puede provocar una explosión.

Las baterías siempre deben mantenerse limpias.

Use solo dióxido de carbono químico o extintores secos en incendios eléctricos. Inspeccione y repare el extintor regularmente. Asegúrese de que el extintor esté disponible. Familiarícese con el funcionamiento del extintor de incendios.

#### **1.4 Protección mecánica**

Las partes móviles pueden ocasionar herimientos graves o hasta la muerte. El generador es proyectado con un marco de protección para las piezas móviles. Todavía se debe tener cuidado para proteger al usuario y al equipo de otros riesgos mecánicos cuando se trabaja alrededor del acceso en cajas cerradas y bloqueadas cuando no es necesario abrirlas.

Use ropa protectora, incluidos guantes y sombrero, cuando esté cerca del generador en uso.

### **1.5 Protección contra el ruido**

Generadores que no son equipados con equipamiento específico para ahogar el sonido, puede producir altos niveles de ruido, pudiendo exceder los 105dB. La exposición prolongada a un nivel de ruido superior a 85 dB es peligrosa para su audición.

Nunca opere el generador sin un silenciador o con un sistema de escape defectuoso.

Se requiere protección para los oídos cuando se opera o alrededor de un generador en funcionamiento.

### **1.6 Instalación y protección en lo movimientos**

Los dispositivos de elevación son adecuados para las tareas necesarias.

Asegúrese de que los dispositivos y las estructuras de soporte sean altos y estén en buenas condiciones, soportando también las cargas aplicadas.

Las cuerdas de suspensión deben colocarse correctamente en los ojales de elevación provistos o los brazos de la carretilla elevadora deben colocarse centralmente en el marco.

El piso es capaz de soportar el peso del grupo electrógeno y el dispositivo de elevación.

### **1.7 Proteção contra os gases da exaustão**

Los gases de escape del motor contienen monóxido de carbono, que es incoloro e inodoro. Si se respira en concentraciones suficientes, este gas puede causar náuseas, desmayos o la muerte. Proporcione ventilación adecuada para evitar la acumulación de los gases del escape.

Cuando el generador se instala dentro de una habitación o gabinete, los gases de escape deben canalizarse al aire libre.

Nunca arranque el sistema de escape de dos o más motores.

Asegúrese de que el escape no esté cerca de la entrada del aire.

Aumente el diámetro del tubo de escape cuando sea necesario para reducir la contrapresión.

### **1.8 Primeros auxilios em caso de choque eléctrico.**

Em caso de accidente de choque eléctrico, apague el generador inmediatamente. Si el sistema no puede ser apagado, ayude a la víctima con algo que no conduzca electricidad, evitando contacto con la víctima. Si la víctima está inconsciente, administre respiración artificial y busque ayuda médica de inmediato.

### **1.9 Precauciones antes de encender el generador.**

Haga una inspección visual general del generador, si hay alguna ruptura, retroceso, fuga o aflojamiento. Nunca opere el generador sin antes de resolver las fallas.

Retire materiales extraños, como llaves, herramientas, paños de limpieza, papeles, etc. del motor y el generador.

Verifique el nivel de combustible en el tanque de combustible. Reabastezca caso este bajo.

Verifique el nivel de aceite en la varilla medidora. Rellene con aceite caso este bajo. El nivel de aceite generalmente debe estar cerca de la línea de nivel máximo.

Verifique el nivel del agua quitando la tapa del radiador. Agregue agua si el nivel es bajo.

El sistema de enfriamiento del motor puede incluir anticongelante de acuerdo con condiciones climáticas muy frías.

Se recomienda una mezcla 1: 1 de agua y glicol. Esta mezcla proporcionará un excelente rendimiento como refrigerante anticongelante.

Inspeccione la cubierta de salida de aire del radiador. Si está obstruido, siempre abra y limpie todas las obstrucciones.

Verifique el indicador del filtro de aire. Si es necesario, limpie o reemplace el filtro de aire.

Mantenga abierta la entrada de aire.

Asegúrese de que el generador pueda coger fácilmente el aire del medio ambiente.

Verifique los cables de conexión de la batería. Tenga cuidado al apretar los terminales sueltos de la batería con la llave y mantenga limpio.

Verifique que el interruptor del disyuntor esté en la posición OFF.

Asegúrese de que el botón de parada de emergencia no esté presionado.

#### **1.10 Precauciones después de encender el generador**

Verifique si hay ruidos o vibraciones anormales en el generador.

Verifique si hay fugas en el sistema de escape o en el escape del generador.

Monitoree la operación del generador a través del módulo de control.

Verifique la temperatura del motor y la presión de aceite. La presión del aceite debe estar en el nivel normal después de 10 segundos de operación.

Monitoree si el generador modificará el voltaje y la frecuencia.

Si no está equipado con el calentador de agua, opere el generador sin carga durante 8 minutos antes de aplicar la carga.

#### **1.11 Aislamiento de grupo electrógeno para mantenimiento**

Al utilizar o repara un generador, adjuntar un aviso “NO OPERAR” o algo similar, como se muestra en la figura 1-1. Desconecte el generador a llave de arranque y apague la distribución del sistema.



**Figura 1-1 Aviso de Peligro**

### 1.12 Arranque accidental

El generador puede arrancar en cualquier momento en modo "AUTO". Manténgase alejado de todas las partes móviles y asegúrese de colocar el interruptor en la posición OFF antes de realizar el mantenimiento, y desconecte el cable negativo de la batería después de desconectar el circuito de carga de la batería.

## 2. INFORMACIONES DEL PRODUCTO

### 2.1 Placa de identificación

Esté preparado para proporcionar el modelo del generador y los números de serie en la placa de identificación cuando nos contacte para obtener información sobre piezas, servicio y productos. La Figura 2-1 ilustra la placa de identificación. También muestra datos importantes del producto.

		<b>DIESEL ENGINE GENERATOR</b> GENERADOR A DIESEL • GERADOR A DIESEL	
Model / Modelo			
Code / Código / Código			
Nominal Power / Potencia Nominal / Potência Nominal			
Maximum Power / Potencia Maxima / Potência Máxima			
Nominal Voltage / Voltage Nominal / Tensão Nominal			
Nominal Current / Corriente Nominal / Corrente Nominal			
Gross Weight / Peso Bruto			
Nominal Frequency / Frecuencia Nominal / Frequência Nominal			
Nominal Speed / Velocidad Nominal / Velocidade Nominal			
Number of Phases / Numero de Fases / Número de Fases			
Protection Degree / Grado de Protección / Grau de Proteção			
Power Factor / Fator de Potencia / Fator de Potência			
Energy Efficiency / Eficiência Energética			
Manufacturing Data / Fecha de Fabricación / Data de Fabricação			
Maximum Altitud / Altitud Maxima / Altitude Máxima			
Maximum Environment Temperature / Temperatura Ambiente Maxima Temperatura Ambiente Máxima			
Serial Number / N° Serie			

Figura 2-1 Placa de identificação

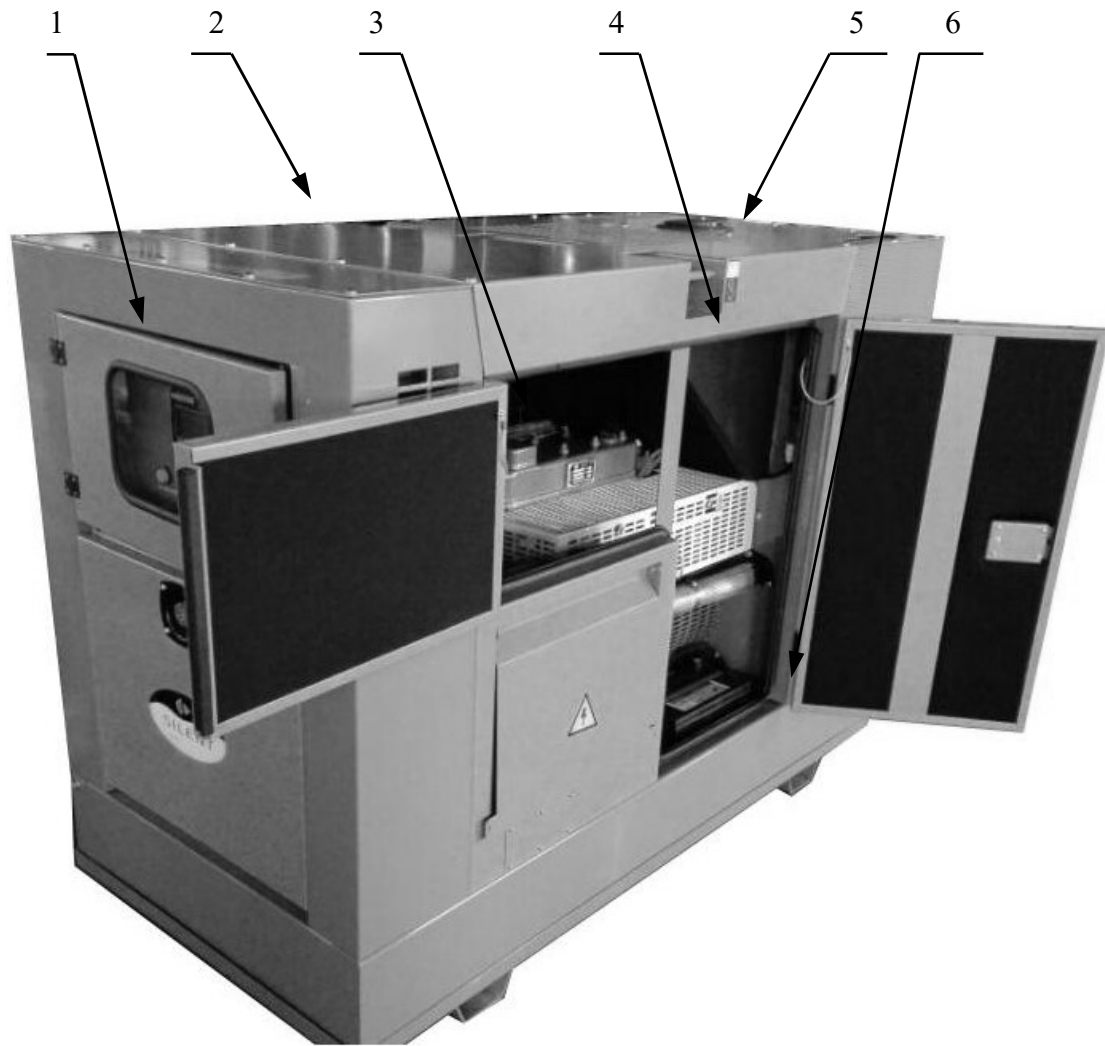
Registre los números en la placa de identificación de su grupo electrógeno en la Figura 2-2, para que sean fáciles de encontrar cuando sea necesario. Cada personaje en esos números es significativo. Necesitamos estos números para determinar los componentes que se incluyeron con el grupo electrógeno. Esto permite una identificación precisa de los números de repuesto.

<b>Modelo:</b> _____	<b>Potencia Máxima:</b> ___ kVA	<b>Potencia nominal:</b> ___ kVA	
<b>Factor de potencia:</b> _____	<b>Peso:</b> ___ kg	<b>Número de fase:</b> _____	<b>NO.:</b> _____

**Figura 2-2 Número de los registros**

## **2.2 Grupo generador Diesel**

Nuestro generador está diseñado como un paquete completo para proporcionar un rendimiento y confiabilidad superiores. La Figura 2-3 identifica los componentes principales. Debido a solicitudes individuales, el grupo electrógeno puede parecer diferente de las ilustraciones.



**Figura 2-3 Grupo Electrónico Diesel**

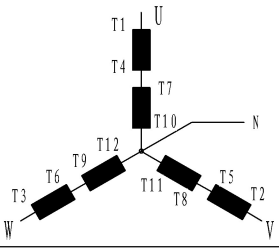
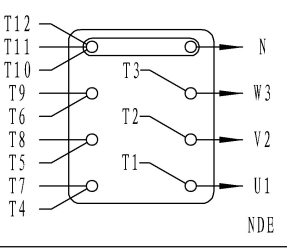
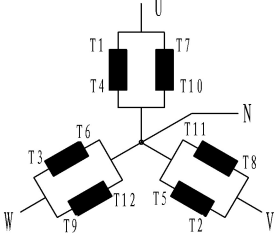
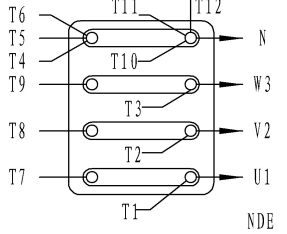
- 1. Painel de Control**
- 2. Alternador (Interno)**
- 3. Motor Diesel**
- 4. Radiador**
- 5. Gabinete silenciador**
- 6. Base**

## 2.3 Motor

El motor diesel que alimenta el generador está específicamente diseñado para la generación de energía. Tiene alta confiabilidad. El motor es de tipo industrial de servicio pesado con encendido por compresión de 4 tiempos y está equipado con todos los accesorios para proporcionar una fuente de energía confiable. Estos accesorios incluyen, entre otros, un filtro de cartucho de aire seco y un regulador de velocidad del motor mecánico o electrónico. El motor utiliza lubricación forzada utilizando una bomba de engranajes y filtros especiales de cartuchos de papel. El lubricante refrigerante generalmente es a través de un intercambiador de calor.

## 2.4 Alternador

Los alternadores son cepillos rotativos y utilizan excitación y regulación de onda completa trifásica. El alternador se auto excita con la potencia de excitación derivada de los bobinados de salida principal. También están disponibles con bobinados específicos y un sistema controlado de transformación de excitación. Los alternadores tienen cuatro polos y doce cables. Los alternadores pueden producir 50 Hz o 60 Hz de energía eléctrica, en condiciones normales de trabajo. Los alternadores usan "Configuración Wye". La Figura 2-4 es la configuración de voltaje que ilustra la conexión adecuada y la identificación del cable. Las conexiones están numeradas en sentido horario, de arriba hacia afuera y adentro.

Connection diagram	L. L Voltage		Factory connection
	50Hz	60Hz	
	380-415	380-480	
	-	380-416	
	Star type series, three phase four lines, Terminals (U, V, W, N)		
	190-208	190-240	
	-	190-208	
	Star type parallel, three phase four lines, Terminals (U, V, W, N)		

**Figura 2-4 Configuración de Tención**

## 2.5 Radiador

El sistema de enfriamiento del motor es enfriado a agua.

EL sistema de agua de enfriamiento consta de un radiador, un ventilador y un termostato. El generador tiene su propio ventilador interno para enfriar los componentes de todo el conjunto.

## 2.6 Base

El motor y el alternador están acoplados y montados en la estructura base con aisladores de vibración. El tanque de combustible base está equipado con un tapón de llenado y un indicador de nivel de combustible. También está conectado al tubo de admisión del motor y al tubo de descarga con mangueras.

## 2.7 Gabinete silenciador de ruido

“Super Silent Diesel Generator” Tiene un rendimiento de ruido significativamente bajo. El ruido está limitado a 63 dB (a siete metros del conjunto). El gabinete silencioso está hecho de una placa de acero laminado en frío de 2,5 mm de espesor y una esponja insonorizante de 5 cm de espesor.

## 2.8 Silencioso

El sistema de silencioso y escape reduce el ruido del motor. Los gases de escape se descargan a la atmósfera a través de un silenciador. El equipo está impermeabilizado para evitar que entre agua en el motor. El silenciador está hecho de acero al carbono y se suministra en tipos residenciales e industriales.

## 2.9 Sistema de control

Los sistemas y paneles de control se utilizan para controlar el funcionamiento y la salida del conjunto, y para proteger el conjunto de posibles daños. Debido a pedidos individuales, los sistemas de control y cableado son diferentes. Consulte los diagramas de cableado eléctrico al final de este manual o manuales de control específicos y diagramas de cableado. Por favor contáctenos si tiene alguna pregunta.

## 3. OPERACIÓN

### 3.1 Recibiendo su grupo Electrógenos

Al recibir el generador, verifique si el generador está en buenas condiciones o no, y si todo el equipo está completo o ensamblado.

Si su grupo electrógeno no fue instalado, mantenga el generador en un área limpia, seca y sin vibraciones.

#### NOTA

Si encuentra alguna pieza faltante o rota, contáctenos.

Si recibió el generador durante el clima frío, permita que alcance la temperatura ambiente antes de retirar el material protector.

#### ATENÇÃO



Si retira el material protector antes de alcanzar la temperatura ambiente, el agua puede condensarse en superficies frías. Esto puede causar fallas prematuras debido a devanados húmedos y materiales aislantes.



### 3.2 Elevación del grupo electrógeno

Con el fin de garantizar la seguridad personal y evitar daños al producto cuando eleva los grupos electrógenos, recomendamos las pautas:

- ◆ Los dispositivos de elevación deben ser adecuados para las tareas necesarias.
- ◆ Los soportes (eslingas) deben estar correctamente posicionados en los ojales de elevación suministrados y los brazos de elevación se colocan centralmente debajo del marco.
- ◆ El piso debe ser capaz de soportar el peso del generador y el dispositivo de elevación.

#### ATENCIÓN



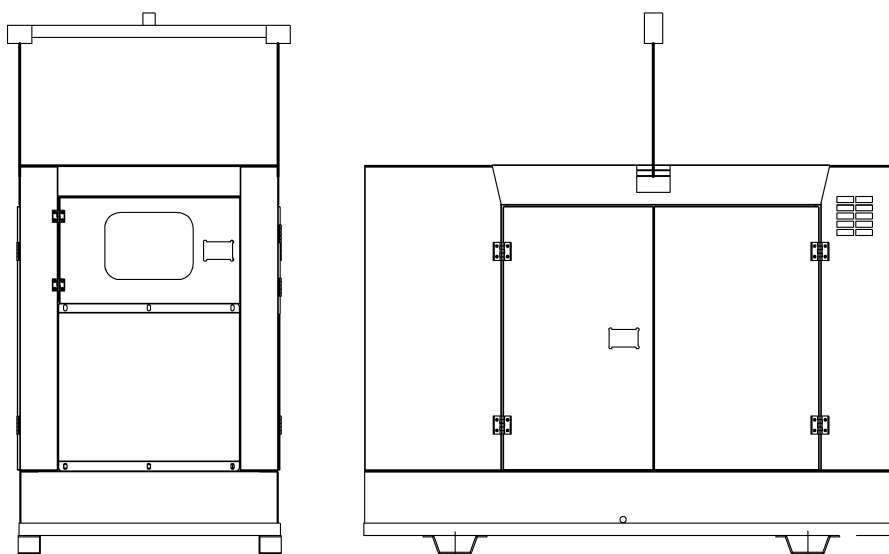
Aparejos impropios pueden dejar el elevador y la unidad caer ocasionando herimientos y daños.

Los dispositivos de elevación incluyen principalmente grúa y caretila elevadora. Vea la Figuras 3-1 e 3-2.

#### 3.2.1 Utilizando Eslingas de Elevación.

Siga las instrucciones que se muestra a continuación:

- 7) Coloque las eslingas del dispositivo de elevación para elevar la estructura base del grupo electrógeno o gabinete de silencio.
- 8) Apriete lentamente, las eslingas y asegúrese de que todo este uniformemente unido y lo suficiente mente fuerte.
- 9) Elevar el grupo electrógeno lentamente.
- 10) Mueva el aparato para el local escogido y póngalo en posición.
- 11) Baje el generador lentamente, manteniéndolo en la posición correcta.
- 12) Afloje y retire las esposas.



13) Figura 3-1 Elevando el grupo electrógeno con eslingas

### 3.2.2 Carretilla elevadora

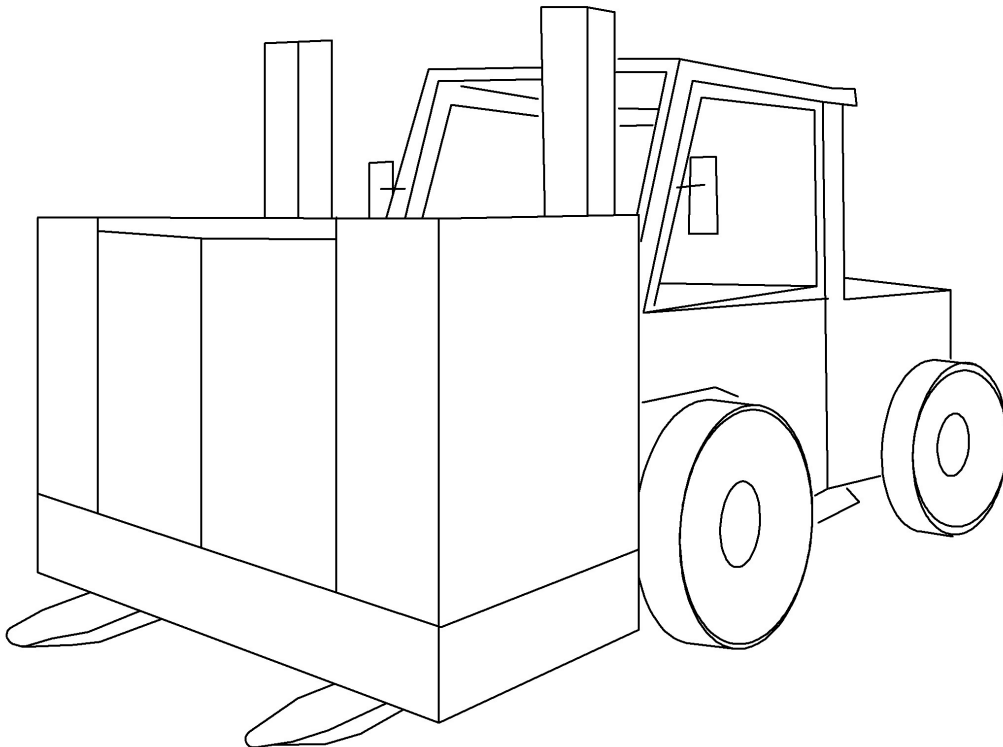
Las entradas de la carretilla elevadora se muestran a continuación:

- 4) Coloque los brazos de la carretilla elevadora debajo del centro del marco base del grupo electrógeno.
- 5) Levante y mueva el conjunto lentamente a la ubicación elegida, asegurándose de que el grupo electrógeno esté bien equilibrado en las eslingas.
- 6) Coloque el generador en su posición final.

**CUIDADO**



**No utilice la elevación del motor o del generador para elevar todo el conjunto.**



**Figura 3-2 Elevando el grupo electrógeno con la carretilla elevadora**

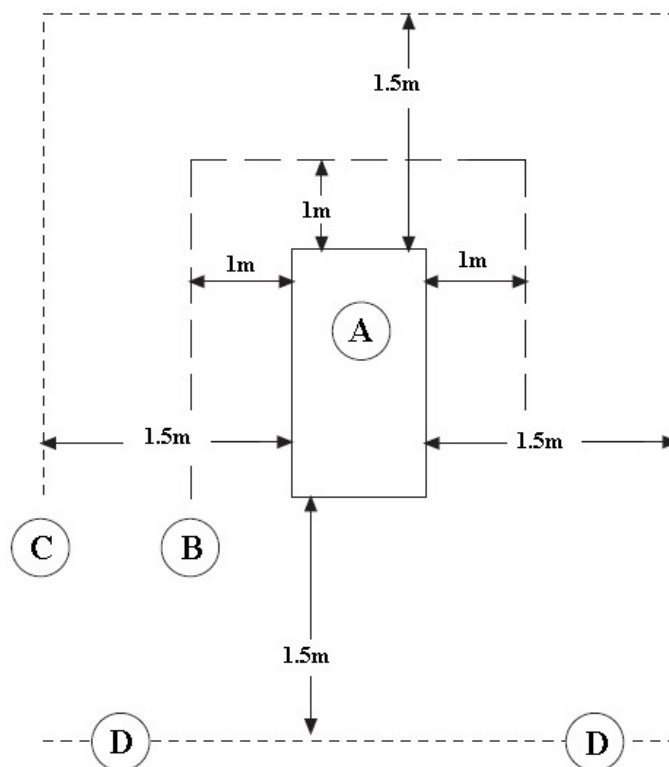
### 3.3 Instalación

#### 3.3.1 Lugar de instalación del grupo electrógeno

La ubicación del grupo electrógeno debe cumplir con todas las regulaciones. Ubique el grupo electrógeno en el área que cumpla con los requisitos limpios, secos y bien ventilados y que sea fácilmente accesible para inspección o mantenimiento. La ubicación del grupo electrógeno debe ser adecuada para soportar el peso del grupo electrógeno y los accesorios, y resistente a cargas dinámicas. También es necesario reducir la transmisión de vibraciones y ruidos.

Si el grupo electrógeno está expuesto a diversas condiciones de ambiente (frio extremo o calor extremo), el grupo de generadores puede ser modificado solamente

los filtros y calentadores. Además, debe ser establecido un cronograma de mantenimiento periódico más estricto.



**Figura 3-3 Distancias que deben mantenerse libres alrededor del grupo eléctrico, para enfriamiento, servicio y mantenimiento.**

Las distancias alrededor del generador para enfriamiento, servicio y mantenimiento se muestran en la Figura 3-3. El espacio libre sobre el conjunto es de al menos 2 metros. A es el grupo eléctrico. B es un material no combustible con una clasificación de resistencia al fuego de una hora o más. C es un material o estructura combustible con una clasificación de resistencia al fuego de menos de una hora. D es cualquier estructura o material.

**ATENCIÓN**



No conecte B y/o C en D, u otro, puede ocurrir un incendio.

### 3.3.2 Requerimiento de flujo de aire

Al instalar grupos eléctricos, se debe tener mucho cuidado para garantizar una ventilación adecuada. Las instalaciones adecuadas requieren ventilación suficiente para enfriar el generador y un suministro de aire adecuado para la combustión. La entrada y el escape de aire deben estar en línea para proporcionar el flujo de aire de ventilación desde la sala de máquinas, que será paralelo al flujo de aire desde el grupo eléctrico sobre el motor, a través del generador y el radiador. Las aberturas de

entrada y salida deben ser lo suficientemente grandes como para proporcionar el volumen de aire requerido por el generador.

### **3.4 Almacenamiento del producto**

El almacenamiento a largo plazo es perjudicial tanto para el motor como para el generador. El daño puede minimizarse preparando adecuadamente el almacenamiento del generador.

#### **3.4.1 Almacenamiento del motor**

- 1) Si el motor se deja fuera de servicio por un largo período de tiempo, es necesario drenar el combustible, el aceite y el refrigerante cuando el motor aún está caliente después de pararlo.
- 2) Desconecte el cable de la batería de arranque (primero el terminal negativo).
- 3) Elimine el lodo y el polvo de la superficie exterior del motor. Es importante aplicar aceite antioxidante para exponer la superficie mecanizada de las piezas del motor. Está prohibido manchar los componentes plásticos de goma con aceite.
- 4) Envuelva los colectores de admisión y escape correctamente con un paño de plástico para evitar que entre polvo.
- 5) El motor debe almacenarse en un lugar con buena ventilación, baja humedad y sin polvo. Está prohibido almacenar el motor en una habitación que contenga productos químicos. El almacenamiento de acuerdo con el procedimiento anterior puede ser así durante tres meses. Luego repita este procedimiento durante el período.
- 6) Coloque una etiqueta de advertencia en el motor, que contenga la siguiente información: Almacenamiento, fecha, refrigerante que se ha drenado, el motor está prohibido operar.
- 7) Retire el aceite antioxidante, antes de que el conjunto se ponga en uso.

#### **3.4.2 Almacenamiento del generador**

La humedad tiende a condensarse en los devanados cuando se almacena el generador. Para minimizar la condensación, almacene el generador en el área de almacenamiento seco. Si es posible, use calentadores para mantener los devanados secos. Es esencial verificar el aislamiento de los devanados después de retirar el generador del almacenamiento.

#### **3.4.3 Almacenamiento de la batería**

Al almacenar las baterías, se debe recibir una carga refrescante a cada 4 semanas hasta que esté completamente cargada

### 3.5 Requerimientos eléctricos

#### 3.5.1 Batería

Los grupos electrógenos utilizan un sistema de arranque eléctrico. La fuente de alimentación para el sistema de arranque es 12 o la batería de 24 V CC. El voltaje inicial está determinado por el tipo y la potencia del motor. Para reducir la corriente de arranque y el tamaño del cable, el motor de alta potencia utiliza 24 V CC. (Verifique las especificaciones del generador)

#### ATENCIÓN



Nunca desconecte el circuito de la unidad de carga o el cable de la batería cuando la unidad de carga esté en funcionamiento. La chispa puede causar incendios.

#### 3.5.2 Cableado de salida de potencia AC

Todo el cableado debe cumplir con los códigos eléctricos aplicables. Los cables deben ser del tamaño adecuado, estar adecuadamente aislados y apoyados de manera apropiada y aprobada. Asegúrese de que todos los dispositivos estén correctamente conectados a tierra.

#### PELIGRO



El contacto accidental con el equipo eléctrico puede causar lesiones graves o la muerte si el equipo no está correctamente conectado a tierra.

#### 3.5.3 Alarma visual y audible

Se puede conectar un indicador externo o alarma sonora al grupo electrógeno. Asegúrese de que el indicador de falla externa o la alarma audible tengan una capacidad máxima de 2 amperios y 12 o 24 VCC, dependiendo del voltaje de CC del sistema. El indicador se iluminará o la alarma sonará cuando se produzca una baja presión de aceite, una temperatura alta del refrigerante o se produzca una sobre velocidad.

### 3.6. Arranque del motor

#### 3.6.1. Antes de arrancar el motor

Realice el mantenimiento diario necesario y otro mantenimiento periódico antes de arrancar el motor. Inspeccione el compartimento del motor. Esta inspección puede ayudar a prevenir reparaciones mayores en una fecha posterior.

- ◆ Para maximizar la vida útil del motor, realice una inspección exhaustiva antes de arrancar el motor. Busque los siguientes elementos: fugas de aceite, fugas de

refrigerante, tornillos sueltos y acumulación de basura. Elimine la acumulación de basura y haga arreglos para reparaciones cuando sea necesario.

- ◆ Revise las mangueras del sistema de enfriamiento por grietas y grapas faltantes.
- ◆ Verifique que el alternador, la correa de transmisión y los accesorios no estén rotos o dañados.
- ◆ Verifique las cadenas para la conexión y el desgaste flojo.
- ◆ Compruebe el suministro de combustible. Drene el agua del separador de agua (si equipado). Abra la válvula de suministro de combustible.

### **CUIDADADO**



Todas las válvulas en la línea de retorno de combustible deben abrirse antes y durante la operación del motor para evitar una alta presión de combustible. La alta presión de combustible puede hacer que la carcasa del filtro falle u causar otros daños.

Si el motor no se ha utilizado durante varias semanas, el combustible puede haber entrado en la carcasa del filtro. Además, cuando se cambian los filtros de combustible, algunas bolsas de aire quedarán atrapadas en el motor. En estos casos, ponga el sistema de combustible en orden.

### **ATENCIÓN**



El escape del motor contiene productos de combustión que pueden ser perjudiciales para su salud. Siempre arranque y opere el motor en un área bien ventilada y, si está en un área cerrada, ventile los gases de escape hacia el exterior.

- ◆ No arranque el motor si hay una etiqueta de "NO OPERAR", una advertencia o una etiqueta de advertencia similar adherida al interruptor de arranque o a los controles.
- ◆ Todos los dispositivos de seguridad deben ser probados. Verifique si hay daños o faltan. Repara los dañados. Reemplace los protectores dañados y / o faltantes.
- ◆ Verifique la batería y los cables de baja calidad.
- ◆ Restablezca todas las desconexiones o componentes de alarma.
- ◆ Verifique el nivel de aceite. Mantenga el nivel de aceite entre la marca "ADD" y la marca "FULL" en el indicador de nivel de aceite.
- ◆ Mantenga el nivel del refrigerante a menos de 30 mm del fondo del tubo de llenado.
- ◆ Observe el indicador de mantenimiento del filtro de aire (si equipado). El mantenimiento del filtro de aire debe realizarse al ingresar a la zona roja o los bloqueos rojos del pistón están en la posición visible.
- ◆ Eliminar cualquier carga eléctrica.

### 3.6.2. Encendiendo el motor

Los modos de arranque del motor incluyen principalmente el modo automático y manual. Consulte el manual del controlador correspondiente para obtener información detallada.

### 3.6.3 Arrancando con tiempo frio

#### ATENCIÓN



No use éter (fluidos de partida) a menos que se le indique específicamente. No use éter si el motor está equipado con un calentador de admisión de aire (calentador múltiple de combustible eléctrico o flameado). El uso puede causar lesiones personales y / o daños al motor.

El uso del calentador de agua de la camisa puede mejorar la capacidad de arranque del motor a temperaturas inferiores a 10 °C (50 °F). Esto puede ayudar a reducir el humo blanco y el fallo de encendido durante el arranque en climas fríos.

### 3.6.4. Después de arrancar el motor

Verifique el grupo electrógeno en busca de ruidos o vibraciones anormales.

Revise el sistema de escape por fugas.

Controle el funcionamiento del grupo electrógeno a través del módulo de control.

Verifique la temperatura del motor y la presión de aceite. La presión del aceite debe alcanzar el valor normal después de la operación normal del grupo electrógeno.

Monitoree el voltaje de salida y la frecuencia del grupo electrógeno.

Si no está equipado con un calentador de agua de revestimiento, opere el grupo electrógeno sin carga durante 8 minutos antes de aplicar la carga (modo manual).

### 3.6.5. Cargando el grupo electrógeno

La potencia (kW) en la placa de identificación del generador determina la cantidad de carga eléctrica (motores, ventiladores, calentadores, acondicionadores de aire, aparatos, etc.) que puede tener el grupo electrógeno. Si la suma de las cargas eléctricas simultáneas excede la potencia nominal del grupo electrógeno, el generador se apagará o el disyuntor se apagará. Cada fase del grupo electrógeno debe llevar la misma carga. Si una corriente de fase excede el amperaje de la placa de características, el desequilibrio eléctrico causará sobrecarga eléctrica y sobrecalentamiento.

#### CUIDADO




La carga de arranque es mucho más alta que su carga operativa.

Durante la operación sin carga del grupo electrógeno, la temperatura del cilindro cae hasta el punto en que el combustible no puede quemarse por completo, causando humidificación del combustible y humo blanco. Se recomienda reducir el tiempo de operación sin carga y operar el grupo electrógeno en cargas de 1/4 a 3/4.

El grupo electrógeno está clasificado a presión barométrica estándar, humedad y temperatura (consulte ISO3046). Desde cualquier presión barométrica baja (altitud elevada), la temperatura ambiente alta disminuirá la potencia del grupo electrógeno.

La potencia del alternador está sujeta a una reducción del 3% por cada 500 metros en los que la altitud de funcionamiento supera los 1000 metros sobre el nivel medio del mar. La potencia del alternador está sujeta a una reducción del 3% por cada 5 °C si la temperatura ambiente de funcionamiento es superior a 40 °C.

<b>CUIDADO</b> 
Los requisitos para operar en un entorno superior a 60 °C deben remitirse a la fábrica.


### 3.7 Parada do motor


#### 3.7.1. Parada de emergencia



**Figure 3-2 Botón estándar de parada de emergencia**

Presione el botón de parada de emergencia en caso de emergencia. El grupo electrógeno no se iniciará mientras el botón esté bloqueado. Gire la perilla en sentido horario para reiniciar.

<b>CUIDADO</b> 
El botón de parada de emergencia es solo para situaciones de emergencia. No use el botón de parada de emergencia para el procedimiento normal de parada.

<b>CUIDADO</b> 
No arranque el motor hasta que se encuentre y resuelva el problema que provocó la parada de emergencia.



### 3.7.2. Manual para parada del procedimiento

Debido a pedidos individuales, los sistemas de control son distintos. Asegúrese de comprender los procedimientos de cierre. Use las siguientes pautas generales para detener el grupo electrógeno:

- 1) Desconecte todas las cargas eléctricas conectadas. Ejecute el grupo electrógeno sin carga.
- 2) Para detener el grupo electrógeno, presione el botón "STOP" en el panel de control o gire el interruptor de arranque hasta "OFF".

### 3.7.3. Después de parar el motor

- ◆ Compruebe el nivel de aceite del cárter del motor. Mantenga el nivel de aceite entre el "ADD" y la marca "completo" en el indicador de nivel de aceite.
- ◆ Permita que el motor se enfríe. Afloje el tapón de llenado del sistema de enfriamiento lentamente para aliviar la presión. Retire la tapa y verifique el nivel de refrigerante.
- ◆ Repare las fugas y apriete los tornillos sueltos.
- ◆ Observe la lectura del cronómetro. Realice el mantenimiento programado en el "Intervalo del plan de mantenimiento" de este manual. Si muestra temperaturas de congelación, revise el refrigerante para protección contra heladas. El sistema de enfriamiento debe protegerse contra la congelación a una temperatura exterior inferior a la esperada. Si es necesario, mezcle el refresco líquido con agua.

## 3.8 Lubricante, combustible y fluido refrigerante recomendados.

### 3.8.1. Recomendaciones de fluidos refrigerantes

El lubricante debe cumplir con los requisitos del grupo electrógeno. Elija diferentes tipos de aceite de acuerdo con los requisitos del motor diesel y la temperatura ambiente regional. Debido a solicitudes individuales, diferentes grupos electrógenos están equipados con diferentes motores. Consulte las especificaciones de cada generador

**CUIDADADO**




No mezcle diferentes tipos de lubricantes.

### 3.8.2. Recomendaciones de combustible


El tanque de combustible en la base del grupo electrógeno suministra combustible al motor. El combustible debe cumplir con los requisitos del grupo electrógeno. Elija diferentes tipos de combustible de acuerdo con los requisitos del motor diesel y la temperatura ambiente regional. Debido a solicitudes individuales, diferentes grupos

electrógenos están equipados con diferentes motores, consulte las especificaciones de cada generador.

<b>ATENCIÓN</b> 	
◆	El combustible debe estar limpio y libre de partículas de agua.
◆	La temperatura del combustible es un factor importante para las condiciones de trabajo adecuadas del motor. Debido a la expansión del combustible, a una temperatura superior a 71 °C, la potencia de salida del motor disminuirá.
◆	En la línea del sistema de combustible, el uso de separadores de filtro de agua reducirá la corrosión de la bomba y el inyector de combustible.

### 3.8.3. Recomendaciones de fluidos refrigerantes

Debido a solicitudes individuales, diferentes grupos electrógenos están equipados con diferentes motores. Consulte las especificaciones de cada generador.

<b>CUIDADO</b> 	
◆	El agua de enfriamiento debe estar limpia y libre de contaminación. El agua destilada o desionizada es la mejor.
◆	Se debe agregar anticongelante al refrigerante, donde existe la posibilidad de congelación para proteger el motor del daño causado por la congelación del refrigerante. Se recomienda una mezcla 1: 1 de agua y glicol.

## 4. MANTENIMIENTO Y SOLUCIÓN DE PROBLEMAS

- ◆ El mantenimiento y los servicios son muy importantes para el correcto funcionamiento de su grupo electrógeno y la seguridad de cualquier persona que opere el generador.
- ◆ Estas actividades de servicio tienen como objetivo maximizar la vida útil del generador, pero no deben variar, extender o alterar los términos de la garantía estándar del fabricante o sus obligaciones de garantía.
- ◆ Cada intervalo de servicio es solo una guía, se desarrolla sobre la base de que el grupo electrógeno fue instalado y operado, de acuerdo con las pautas del fabricante. Si las condiciones ambientales de instalación y operación del grupo electrógeno son adversas o anormales, necesita intervalos de mantenimiento más frecuentes. El grupo electrógeno debe ser monitoreado continuamente entre los servicios para identificar posibles modos de falla, signos de mal uso o desgaste excesivo.
- ◆ Los trabajos de control y mantenimiento indicados en el programa de mantenimiento periódico deben llevarse a cabo de manera completa y oportuna. Las fallas debido a un mantenimiento incompleto y oportuno no están cubiertas por la garantía.

#### 4.1. Calendario recomendado de mantenimiento del motor

El Plan de mantenimiento del intervalo del motor muestra los modos recomendados de servicios y actividades en la fila de la tabla, agrupados por el subsistema del motor. La frecuencia del servicio se da en horas de operación o intervalo de tiempo, lo que ocurra primero. Una marca (√) en las celdas, donde una línea cruza las columnas muestra cuándo se necesita servicio.

**Tabela 4-1 Calendário recomendado de manutenção do motor**

Sistema	Tipo de servicio	Actividad de servicio	Diariamente o cada 20 horas.	Semanal	Mensual	3 meses u 100 h	6 meses u 200 h	12 meses u 800 h	24 meses o 2000 h
Sistema de lubricación	Cheque	Cualquier fuga	√	√	√	√	√	√	√
		Nivel de aceite	√	√	√	√	√	√	√
		Presión de aceite del motor	Cada 12 meses						
	Reemplazar	Filtro de aceite					√	√	√
		Aceite					√	√	√
		Aceite y filtro de aceite	El aceite y el filtro de aceite del motor nuevo o revisado deben reemplazarse durante las primeras 50 horas.						
Limpieza	Aliento del personaje					√	√	√	
Cemento de enfriamiento	Cheque	Si hay una fuga	√	√	√	√	√	√	√
		Filtro bloqueado			√	√	√	√	√
		Tubos y conexiones			√	√	√	√	√
		Nivel del agua		√	√	√	√	√	√
		Anticorrosivo y anticongelante			√	√	√	√	√
		Correa y su grado de estanqueidad				√	√	√	√
		Ventilador				√	√	√	√
	Reemplazar	Agua u Refrigerante	cada 12 meses						
Limpieza	Sistema de refrigeración								
Sistema de combustible	Cheque	Cualquier fuga	√	√	√	√	√	√	√
		Nivel de combustible		√	√	√	√	√	√
		Boquilla de la bomba de combustible						√	√
		Tubos y conectores					√	√	√
		Bomba de combustible			√	√	√	√	√

	Reemplazar	Filtro de combustible					√	√	√	
	Limpieza	Bandeja de contención de líquidos						√	√	
Sistema de suministro de aire	Cheque	Entrada de aire			√	√	√	√	√	
		Filtro de aire		√	√	√	√	√	√	
		Tubos y conectores				√	√	√	√	
	Reemplazar	Reemplace el núcleo del filtro de aire					√	√	√	
Sistema de escape	Cheque	Cualquier fuga			√	√	√	√	√	
		Resistencia de escape							√	
		Tornillo del escape			√	√	√	√	√	
Sistema eléctrico	Cheque	correa del alternador y su grado de estanqueidad			√	√	√	√	√	
		Batería		√	√	√	√	√	√	
		Disyuntor		√	√	√	√	√	√	
		Conector de arranque						√	√	
		Arranque		A cada 12 meses						
		Alternador		A cada 12 meses						
Otros	Verificar	Aprieto en la base						√	√	
	Limpieza	Grupo electrógeno					√	√	√	
Opere el generador sin carga durante 5 minutos.	Cheque	Capacidad de arranque		√						
		Coloración del humo del escape		√						
		Vibración anormal		√						
		Ruido anormal		√						
		Olor anormal		√						
		Parámetros de indicación		√						
Opere el grupo electrógeno durante ½ carga durante 15 minutos.	Cheque	Capacidad del arranque				√	√	√	√	
		Coloración del humo del escape				√	√	√	√	
		Vibración anormal				√	√	√	√	
		Ruido anormal				√	√	√	√	
		Olor anormal				√	√	√	√	
		Parámetros de indicación				√	√	√	√	

#### 4.2. Programación recomendada de mantenimiento del generador

El Plan de mantenimiento del generador muestra los intervalos / modos recomendados de servicios y actividades en la línea de la tabla, agrupados por el subsistema del generador. La frecuencia del servicio se da en horas de operación o intervalo de tiempo, lo que venga antes. Una marca (√) en las celdas, donde una línea y una columna se cruzan muestra cuándo se es necesario el servicio.

**Tabla 4-2 Tabla de resolución de problemas del generador**

Sistema	Tipo de servicio	Actividad de servicio √ = obligatorio * = Si es necesario	Generador en funcionamiento	Antes de operar el generador	250h / 0.5 ano	1000 h / 1ano	10000h / 2ano	30000 h / 5ano	
Generador	Verificar	Clasificación del generador		√					
		Arreglo de la base		√					
		Dispositivo de acoplamiento		√			*	√	
		Condiciones ambientales y limpieza		√	√	√	√	√	
		Daño a la máquina, piezas sueltas		√	√	√	√	√	
		Avisos de seguridad y tablas		√	√	√	√	√	
		Acceso de mantenimiento		√					
	Prueba	Temperatura ambiente (Dentro y fuera)			√	√	√	√	√
		Condições nominais de operações elétricas e excitação		√	√	√	√	√	√
		Vibración		√	√	√	√	√	√
Bobinado	Verificar	Condición del bobinado		√	√	√	√	√	
		Ajuste de temperatura según el cliente		√	√	√	√	√	
	Prueba	Resistencia de aislamiento de todos los devanados. (Prueba de PI para MV / HV ).			√	*	*	√	√
		Resistencia de aislamiento del rotor / excitador.				√	√		
		Sensores de temperatura		√	√	√	√	√	√

Rodamientos		Condición del rodamiento		√				√
	Verificar	Configuración de los sensores de temperatura de las piezas.		√				
	Prueba	Sensores de temperatura	√	√	√	√	√	√
	Reemplazar	Rodamientos					*	√
Caja de terminais	Verificar	Todas las conexiones y cableado del generador / pieza		√	√	√	√	√
Controles e Auxiliares	Verificar	Configuración de sincronización		√				
	Prueba	Configuración inicial del AVR & PFC	√	√				
		Configuración AVR & PFC	√		√	√	√	√
		Conexiones auxiliares de las piezas		√		√	√	√
		Funciones auxiliares		√	√	√	√	√
		Sincronización	√	√	√	√	√	√
Reemplazar	Anti condensación					*	√	
Rectificador	Verificar	Diodos e varistores		√	√	√	√	
		Rectificador trifásico (si está instalado)		√	√	√	√	
	Reemplazar	Diodos e varistores						√
Enfriamiento	Verificar	Flujo de aire (velocidad de dirección)	√	√				
		Ventilador		√	√	√	√	√
	Prueba	Temperatura da entrada de ar	√	√	√	√	√	√
		Condición del filtro de aire (si está instalado)		√	√	√	√	√
	Limpieza	Condición del filtro de aire (si está instalado)				*	*	*
	Reemplazar	Condición del filtro de aire (si está instalado)				*	*	*

### 4.3. Resolución de problemas del motor

Tabela 4-3 Tabla de resolución de problemas del motor

Tipos de problemas	La razón del problema	Acción correctiva
El equipo no enciende	La capacidad de arranque de la batería es insuficiente.	Cargue la batería, si es necesario, reemplácela.
	Panel de control sin acceso a electricidad.	Comprobar si los fusibles del panel no están fundidos.
	Algunas unidades fueran encendidas antes de pasar por la inspección.	Reiniciar después de restablecer el controlador (espera 3 ~ 4s).
	Falla del relé al encender.	Sustitución del relé de arranque
	Falla al encender.	Solución de problema, reemplazar si es necesario
	La unidad está atascada y no se puede iniciar con las instrucciones.	Inspeccione cuidadosamente y encuentre la causa.
El equipo tiene dificultad o tarda mucho en encender	La capacidad de arranque de la batería es insuficiente.	Cargue la batería, si es necesario, reemplácela.
	Calentamiento insuficiente antes de encender.	Precaliente lo suficiente antes de encender
	El potenciómetro del acelerador en algunas unidades equipadas con el controlador electrónico de velocidad es muy pequeño.	Consulte el manual de instalación del controlador de velocidad electrónico y ajuste el potenciómetro correctamente.
	Temperatura baja	Es recomendado un calentador de agua
	Instalado en una meseta, donde el aire está enrarecido.	Debe quedarse inactivo por un tiempo, después a toda velocidad con cuidado
	Mal uso o nivel de combustible incorrecto	Reemplazar el combustible
	Combustible que contiene agua	Reemplazar el combustible
	Aire en el combustible o sin combustible	Comprobar el tanque de combustible
	Obstrucción del filtro de combustible	Reemplazar periódicamente el filtro de combustible
	Obstrucción del filtro de aire	Reemplazar periódicamente el filtro de aire
	Falla de inyección de combustible debido a obstrucción	Inspeccionar la bomba de combustible
	Falla de la bomba en la transferencia de combustible.	Verificar e reparar, substituir se necessário.
	Falla de la válvula magnética para apagar	Verificar e reparar, substituir se necessário.
	Sistema de escape obstruido	Verificar y solucionar los problemas.
Falla electrónica de control de velocidad	Comprobar que el control esté encendido, reemplácelo si es necesario.	

El equipo enciende pero apaga después	Combustible que contiene agua	Reemplazar el combustible
	Aire en el combustible o sin combustible	Verificar o tanque de combustible
	Obstrucción del filtro de aire / combustible	Reemplazo Periódico
	Instalado en una meseta, donde el aire está enrarecido.	Debe quedarse inactivo por un tiempo, después a toda velocidad con cuidado
	Mal uso o nivel de combustible incorrecto	Reemplazar el combustible
Velocidad excesiva en el arranque	El potenciómetro del acelerador en algunas unidades no está configurado correctamente	Consulte el manual del accesorio del controlador de velocidad electrónico y ajuste el potenciómetro de velocidad de arranque y de ascenso correctamente.
	El valor de la protección del exceso de velocidad es pequeño	Ajuste el valor de protección de velocidad lentamente, no más del 17%.
	Estructura del control mecánico de velocidad.	Inspeccione la palanca del acelerador en busca de flexibilidad y garantice los ajustes adecuados.
	Falla de la bomba de inyección de combustible.	Inspección de la bomba por personal autorizado (técnico)
Humo negro del escape	Obstrucción de la entrada de aire	Manutención periódica do filtro de ar
	Uso indebido de combustible, proporción incorrecta o tipo diferente.	Reemplazar el combustible
	La temperatura del motor esta baja	Verifique nuevamente después de que el motor haya alcanzado la temperatura normal
	Instalado en una meseta, donde el aire está enrarecido.	El motor ubicado en altitudes debe presentar una reducción en la potencia de funcionamiento.
	Alta temperatura del aire en la entrada de aire.	La temperatura del aire de admisión no debe ser superior a 40 °C.
	Bloqueo del filtro y de las tuberías de combustible.	Limpie las líneas de combustible y reemplace el filtro.
	Mal uso del turbocompresor	Solucionar el problema o reemplazarlos si es necesario
	Válvulas muy anchas	Inspeccione y ajuste las válvulas correctamente
	Tiempo de inyección incorrecto	Verifique los datos de la bomba de inyección y solucione los problemas de la bomba con personal autorizado.
Humo blanco o azul del escape	Lubricante excesivo en el motor.	Compruebe el nivel de aceite del motor.
	Tipo incorrecto de lubricante utilizado	Reemplace el lubricante y el filtro de lubricante, asegúrese de que sea el lubricante correcto.
	Tipo incorrecto de combustible utilizado	Reemplace el combustible y el filtro de combustible.
	Fuga en la cabeza del cilindro	Verifique el bloque de cilindros, reemplácelo si es necesario
	Período de revisión del motor alcanzado	Resisar el motor



Sin alcance de la velocidad nominal	Sobrecarga	Reduzca la carga, a bajo de la carga nominal
	Ajuste incorrecto del potenciómetro del ECM	Consulte el manual del accesorio del controlador de velocidad electrónico y ajuste el potenciómetro correctamente.
	Falla electrónica del sistema de velocidad	Reemplazar si necesario
	La palanca del acelerador de velocidad está mal ajustada	Inspeccionar y ajustar
	Obstrucción de la tubería de combustible	Inspeccionar y reemplazar si es necesario
	Combustible que contiene agua	Reemplazar el combustible
	Los filtros de aire / combustible / lubricante no se han reemplazado a su debido tiempo	Reemplazo periódico de filtros
	Falla del medidor de frecuencia	reemplazar
Velocidad inestable	la palanca del acelerador esta suelta	Comprobar y ajuste en la posición correcta
	El control electrónico de velocidad no está ajustado correctamente.	Consulte el manual del accesorio del controlador de velocidad electrónico y ajuste el potenciómetro "gano" y "estabilidad" correctamente.
	El mecanismo regulador está fuera de control.	Busque una personal autorizado
	El sistema de combustible contiene aire.	Inspección y solución de problemas (reemplazo de combustible)
	Oscilación de carga intensa	Controla la carga lo mejor posible
Vibración	Agua o aire en el sistema de combustible.	Inspeccionar y reemplazar el combustible
	Obstrucción del filtro de aire	Reemplazo periódico del filtro de aire
	Demasiado lubricante, o el tipo y grado incorrecto de lubricante utilizado.	Verifique el nivel de lubricante si necesario reemplace el lubricante y el filtro. Asegúrese de utilizar el lubricante correcto.
	Temperatura del aire de entrada	La temperatura del aire en la entrada no debe superar los 40°C.
	Tubos de escape obstruidos	Limpiar los tubos de escape. Reduciendo la presión
	Falla en la bomba de inyección de combustible.	Solución de problemas por personal autorizado
	Holga incorrecta de válvulas	Inspeccione y ajuste la holgura de la válvula
	Daño en el ventilador	Inspeccionar y reparar, reemplazar si es necesario
	La base de la unidad es desigual y los amortiguadores de vibraciones no están ubicados en la posición correcta.	Inspeccionar la posición del ajuste
Si las condiciones de funcionamiento son adversas. El motor debe pasa al período de revisión antes de tiempo.	Revisión del motor	

Baja presión de lubricante	Nivel de lubricante inadecuado	Verifique el nivel de lubricante, agregue más o elimine la cantidad ideal.
	Proporción incorrecta del lubricante	Reemplace el lubricante
	El lubricante que no se cambia a un tiempo	Reemplazo periódico de lubricante
	Obstrucción del filtro de aceite	Reemplazo de filtro periódico
	Alta temperatura del aceite	Inspeccione y repare, o reemplace el enfriador de aceite.
	Rodamientos del cigüeñal desgastados	Encuentra la causa y resuelve el problema.
	Daño en la válvula de reducción	Reemplazo
	Bloqueo del filtro de succión del depósito.	Inspeccione y repare, o reemplace el filtro de succión, y realice la limpieza.
	Falla del sensor de lubricante	Verifique los sensores en el panel de control. Reparar o reemplazar.
Alta temperatura del agua	Poca agua	Agrega más agua.
	Obstrucción del radiador	Resuelva limpiando el radiador.
	Ventilación insuficiente del radiador	Aumente el área de ventilación efectiva de acuerdo con los requisitos.
	El ventilador de enfriamiento funciona incorrectamente.	Inspeccione la tensión de la correa del ventilador y reemplácela si es necesario.
	Falla del ventilador	Mantenimiento o reemplazo
	Falla de la bomba de agua.	Mantenimiento o reemplazo
	Falla del termostato	Reemplazo
	Falla de la bomba de inyección de combustible.	Mantenimiento o reemplazo por personal autorizado
	Tiempo de inyección incorrecto	Verifique los datos de la bomba de inyección y resuelva los problemas de la bomba con personal autorizado.
	Temperatura ambiente alta	Mantenga la habitación ventilada y reduzca la temperatura del motor en consecuencia.
Sobrecarga	Verifica la carga. La operación con sobrecarga está prohibida	
Falla del sensor de lubricante	Verifique el panel de control, medidores y sensores. Repara, reemplaza y resuelve problemas.	
Alto consumo de combustible	Fuga de combustible	Inspeccionar y eliminar fugas
	Obstrucción del filtro de ar	Reemplazo Periódico
	Instalado en una meseta, donde el aire está enrarecido.	Reducción de la potencia de funcionamiento para motores ubicados en mesetas.
	Baja temperatura del motor	Solución de problemas
	Sobrecarga	Controlar a carga
	Obstrucción del tubo de escape	Limpieza de los tubos de escape.
	Tiempo de inyección incorrecto	Verifique los datos de la bomba de inyección y resuelva los problemas de la bomba con personal autorizado.

	Holga incorrecta de válvulas	Inspeccione y ajuste la holgura de la válvula
	El motor pasó al período de inspección.	Inspección del motor
Alto consumo de lubricante	Fuga de lubricante	Inspeccionar y eliminar fugas
	Tipo incorrecto de lubricante	Reemplazo de lubricante y filtro de aceite. Asegure el tipo correcto de lubricante.
	Sellado de los rodamientos del tubo de compleción gastados.	Mantenimiento o reemplazo
	Desgaste del pistón, cilindro y cárter	Resuelva el problema e inspeccione si es necesario.
Potencia insuficiente	Sobrecarga	Reducir la carga
	Fluctuación de potencia debido a la altitud de la región.	Es necesario revisar la potencia de la unidad cuando la altitud excede los 1,000 metros.
	Las líneas de combustible son demasiado pequeñas o el filtro de combustible está obstruido.	Aumentar el diámetro de las líneas de combustible. Reemplace el filtro de combustible.
	Tipo incorrecto de combustible utilizado	Reemplace el combustible y el filtro, asegúrese de que sea el combustible correcto.
	Obstrucción de la ventilación del tanque u obstrucción de las tuberías de retorno.	Verificación, resolución de problemas.
	Tubos de escape obstruidos.	Inspeccionar los tubos de escape. Reducir la contrapresión.
	Entrada de aire insuficiente (obstrucción de entrada de aire)	Reemplazo periódico del filtro de aire.
	Alta temperatura en la entrada de aire.	Mantener la ventilación de la sala de máquinas. Reduzca la temperatura del aire de admisión, manténgalo adecuado.
	Alta temperatura del combustible	Intente controlar la temperatura del combustible entrante. Debe ser menor que 70 °C.
	Falla en la bomba de inyección de combustible o en el sistema de controle	Mantenimiento por personal autorizado
	Falla del ventilador del turbocompresor	Mantenimiento o reemplazo
	Holga incorrecta de válvulas	Inspeccione y ajuste la holgura de la válvula
	Tiempo de inyección incorrecto	Verifique los datos de la bomba de inyección. Solucione los problemas de la bomba con personal autorizado.
	El motor está en período de revisión.	Revisión del motor
La unidad no puede parar	Falha da válvula eletromagnética para desligamento	Verifique que el cableado sea correcto, reemplácelo si es necesario
	Falla electrónica / mecánica de control de velocidad Falla electrónica / mecánica de control de velocidad	Mantenimiento por personal autorizado
	Fallo de los instrumentos de control.	Mantenimiento o reemplazo
	Falha no sistema de controle	Mantenimiento por personal autorizado

Falla de distribución de aire	Disparo automático do interruptor de ar	Sobrecarga
		Verificar a controle paralelo.
	El interruptor de aire no se puede encender	Es necesario reparar y reemplazar el interruptor de aire
		El interruptor de aire debe encenderse después de una sobrecarga o un cortocircuito.
Falha no painel de controle	El panel de control detecta la falla de las alarmas de la unidad y luego la apaga.	Solucionar problemas, reiniciar después del reemplazo.
		No hay señal de inicio. Inspeccionar y solucionar
	Falla de energía. No se puede encender	Los instrumentos de arranque deben funcionar en modo automático.
		El cableado de control no es correcto. Inspeccionar y corregir.
Energía normal, pero no es posible apagar el equipo	Falla RS485	Mal uso del arranque automático del motor. Reemplazo o mantenimiento
		Operación de enfriamiento durante 3 a 5 minutos.
	Comprobar ATS.	Comprobar las conexiones entre el ATS y el controlador.
		Confirme que la unidad cumple con la configuración del sensor remoto, la comunicación remota y el control remoto.
Comprobar que A y B del RS485 estén conectados al revés.	Comprobar conexiones	
	Verifique que la puerta COM este correcto	
	Compruebe si la puerta PC COM está dañado.	

#### 4.4 Solución de problemas del generador

##### 4.4.1 Auto excitación AVR – SEM CARGA

tabla 4-4 Encontrar fallas: Auto excitación AVR-Sim carga

Tipos de problemas	Razón probable	Acción correctiva
Sin voltaje (Sin carga)	El voltímetro no está conectado o está defectuoso	Pruebe los voltajes de los terminales del generador con un multímetro.
	Conexiones sueltas, rotas o corroídas	Inspeccione todos los terminales en la placa auxiliar. Inspeccione el terminal de presión en el AVR.

		Repáre o reemplace si es necesario
	<p>No hay magnetismo residual en el núcleo de acero laminado en frío del estator del excitador.</p> <p>Cuando se enciende el generador, el magnetismo residual produce excitación para proporcionar suficiente voltaje de detección (al menos 3.5V) para alimentar un AVR auto animado.</p> <p>El magnetismo residual puede desaparecer en los siguientes casos:</p> <ol style="list-style-type: none"> <li>1. Largo tiempo de almacenamiento.</li> <li>2. "Parpadear" con polaridades incorrectas causa un campo magnético inverso.</li> <li>3. El estator excitador está retraído.</li> <li>4. Choque mecánico.</li> </ol>	<p>Restaurar el magnetismo del estator:</p> <ol style="list-style-type: none"> <li>1. Opere el generador sin carga a la velocidad nominal.</li> <li>2. Conecte los cables a una batería 12 VDC con un diodo en un cable.</li> <li>3. Conectar rápidamente (máximo 1 s) el conductor positivo de la terminal AVR X+(F1) y el conductor negativo en la terminal AVR XX-(F2).</li> </ol> <p>Atención: el AVR se dañará si está conectado con polaridades incorrectas y sin diodo.</p>
	El aislamiento del estator es de mala calidad	Probar el aislamiento
	El aislamiento del estator principal es de mala calidad	Probar el aislamiento del estator principal
	Cortocircuito del varistor en el rectificador	Probar los varistores
	Cortocircuito de los diodos en el rectificador.	Probar los diodos
	Falha nos enrolamentos. Circuitos abertos ou curto-circuito no enrolamento.	Probar los devanados
	Falla AVR	Reemplace el AVR y pruebe
	La carga se aplica al motor al arrancar el motor.	Abra el disyuntor y pruebe nuevamente.
	No hay fuente de alimentación del estator principal en el AVR.	Pruebe el suministro de detección del AVR.
Baja tensión (sin carga)	Baja velocidad del motor	Pruebe la velocidad con el tacómetro y ajuste el regulador de control de velocidad.
	Baja frecuencia de protección (UFRO). Circuito activado	Inspeccione el led UFRO en el AVR. Si está encendido, UFRO se activa, lo que indica baja velocidad. Ajuste la velocidad del motor dentro de -1% a + 4% del valor nominal.
	Control de voltaje AVR o configuración incorrecta en el exterior de la recortadora.	Control de voltaje AVR o configuración incorrecta en el exterior de la recortadora.

	Panel de voltímetro defectuoso.	Pruebe el voltaje en los terminales del generador con un multímetro.
	Falla AVR	Reemplazo de AVR, pruebe nuevamente.
	Las conexiones están flojas, rotas o corroídas	Inspeccionar el cableado. Repare o reemplace si es necesario.
	Nenhuma fonte de alimentação do estator principal para o AVR.	Pruebe la provisión de detección de AVR.
Alto voltaje (Sin carga)	El voltaje de entrada de detección del AVR está abierto o muy bajo.	Pruebe la provisión de detección de AVR.
	Control de voltaje AVR o configuración incorrecta en el exterior de la recortadora	1. Pruebe la velocidad del motor con el tacómetro si es correcta. Y la conformidad del UFRO está apagado (OFF). 2. Ajuste el voltaje a través del AVR, o de forma remota.
	Fallo en los sensores del transformador del circuito de alimentación (generadores de 4 o 6 cables) o del módulo del sensor (PCB).	Pruebe la provisión de detección de AVR.
	Falla AVR	Reemplazo de AVR, pruebe nuevamente.
	Las conexiones están flojas, rotas o corroídas.	Inspeccione todos los terminales en la placa auxiliar. Inspeccione el terminal de presión en el AVR. Repare o reemplace si es necesario.
Voltaje inestable (sin carga)	Regulador del motor inestable.	Pruebe la velocidad de estabilidad del motor con un medidor de frecuencia o tacómetro. Algunas veces, este problema no ocurrirá cuando se aplica la carga.
	Control de estabilidad AVR configurado incorrectamente.	Inspeccione las conexiones de estabilidad AVR. Ajuste la olla de estabilidad.
	Las conexiones están flojas, rotas o corroídas.	Inspeccione todos los terminales en la placa auxiliar. Inspeccione el terminal de presión en el AVR. Repare o reemplace si es necesario.
	Baja resistencia de aislamiento del devanado.	Pruebe la resistencia de aislamiento de los devanados.
	Componentes AVR, rotos o corroídos.	Reemplace el AVR y pruebe nuevamente.
	Falla o vibración del panel del voltímetro	Pruebe el voltaje en los terminales del generador con un multímetro.
Tensión desequilibrada (Cargado)	Falla de los devanados del estator principal.	Testar os enrolamentos do estator principal.

#### 4.4.2 Auto excitación AVR – Cargado

Tabla 4-5 Detección de errores: Auto excitación AVR - Cargado

Tipos de problemas	Razón probable	Acción correctiva
Baja tensión (Cargado)	Baja velocidad del motor	Pruebe la velocidad con el tacómetro y ajuste el regulador de control de la velocidad nominal.
	Baja frecuencia de protección (UFRO). Circuito activado	Inspeccione el led UFRO en el AVR. Si está encendido, UFRO se activa, lo que indica baja velocidad. Ajuste la velocidad del motor dentro de -1% a + 4% del valor nominal.
	No hay fuente de alimentación del estator principal al AVR	Pruebe la provisión de detección de AVR.
	Falla AVR	Reemplazo de AVR, pruebe nuevamente.
	falla en el Bobinado el diodo rotacional.	Pruebe bobinados o diodos.
	Caída de voltaje entre generador y carga, debido a pérdidas de $I^2R$ en el cable. Será peor durante las sobretensiones (por ejemplo, desde el arranque).	Pruebe el voltaje en ambos extremos de los cables a plena carga. En casos severos, se requiere un cable de mayor diámetro.
Alto voltaje (Cargado)	Carga desequilibrada	Pruebe el voltaje en todas las fases. Si no está equilibrado, redistribuya la carga entre las fases.
	Conducción del factor de carga de potencia (banco de condensadores).	Pruebe los voltios de excitación entre X + (F1) y XX- (F2). El factor conductor proporcionará una baja anomalía de excitación de DC. Retire los condensadores de corrección del factor de potencia del sistema de baja carga
	Transformador de corriente inversa de inclinación paralela.	Comprobar la inclinación.
Voltaje inestable (Cargado)	El regulador del motor es inestable.	Pruebe la velocidad de estabilidad del motor con un medidor de frecuencia o tacómetro.
	Cargas en el conductor de potencia causadas por los condensadores de corrección del factor de potencia.	Aísle los condensadores de corrección del factor de potencia antes de que se haya aplicado suficiente carga inductiva.
	Fluctuaciones de corriente de carga (motor de arranque o cargas alternas)	Pruebe la corriente de carga en un abastecimiento estable, es decir, en el suministro.
	Control de estabilidad AVR ajustado incorrectamente.	Ajuste el control AVR hasta que el voltaje sea estable.
Regulación	Gran pendiente de la velocidad del	Pruebe el gradiente de velocidad primero sin

de baja tensión (Cargado)	motor. La protección AVR UFRO está activada.	carga hasta que la carga completa no sea superior al 4%. Inspeccione el led AVR. Si está encendido, aumente la velocidad del motor.
	Carga desequilibrada	Pruebe el voltaje en todas las fases. Si no está equilibrado, redistribuya la carga entre las fases.
	Circuito de inclinación mal ajustado.	El circuito de inclinación proporcionará un voltaje adicional de -3% a plena carga y un factor de potencia = 0.8. Para máquinas que operan individualmente, se puede quitar ajustando un interruptor de cortocircuito entre la entrada de inclinación del CT, ( S1 - S2 ) , por medio del regulador en el AVR.
	La caída de voltaje entre el generador y la carga, debido a pérdidas de I <sup>2</sup> R en el cable. Será peor durante las sobretensiones (por ejemplo: motor de arranque).	Pruebe el voltaje en ambos extremos de los cables en continuo completo. En casos severos, un cable de mayor diámetro es necesario.
	Falla en el Rectificador o en los devanados de excitación.	Pruebe el rectificador y verifique los devanados.
	AVR bajo el circuito de protección de frecuencia UFRO activado.	Verifique el led UFRO. Si se accede, UFRO se activa, lo que indica baja velocidad. Prueba de velocidad con tacómetro y ajuste para corregir la velocidad nominal o frecuencia.
Bajo voltaje responsable de la aparición de cargas o arranque del motor.	El regulador del motor está decapitado o tarda en responder. La protección AVR UFRO está activada.	Verifique el rendimiento del motor cuando aplique la carga. Verifique que el LED AVR esté encendido cuando arranque el motor. Compruebe si los circuitos AVR DIP o DWELL están activados. Ajuste si es necesario.
	AVR UFRO Protección está activada	Pruebe que la inclinación de la velocidad sin carga para carga completa no sea superior al 4%. Inspeccione el led AVR. Si está encendido, aumente la velocidad del motor.
	Circuito de pendiente paralela configurado incorrectamente	Demasiada inclinación aumentará las caídas de voltaje cuando se arranque el motor. El interruptor de cortocircuito es adecuado para generadores individuales.
	Los picos de carga pueden exceder 2.5 veces la corriente máxima	Medida de corriente con un amperímetro. La caída de voltaje puede ser excesiva si la corriente excede 2.5 veces la carga completa. Consulte Toyama para los



		cálculos de arranque del motor.
	Caída de voltaje entre el generador y la carga, debido a pérdidas de $I^2R$ en el cable. Será peor durante sobretensiones (por ejemplo: motor de arranque).	Tensión de ensayo / pruebe el voltaje en ambos extremos de los cables a plena carga. En casos severos, necesitará un cable con un diámetro mayor.
	Los contactores del motor se desconectan durante el arranque (grandes fluctuaciones de corriente, caída de tensión del 30%).	Todas las causas y acciones en esta sección se pueden aplicar a este problema. Consulte a la fábrica para caídas de voltaje típicas.
	El control de estabilidad AVR está instalado incorrectamente.	Configure el control de estabilidad AVR para un mejor rendimiento. Ajuste en sentido antihorario hasta que el voltaje sea inestable, luego cambie ligeramente en sentido horario hasta que sea estable.
	Falla del rectificador o del devanado de excitación.	Pruebe el rectificador o el devanado de excitación.
	Circuito de alivio del motor activado durante el arranque del motor.	Compruebe que los circuitos DIP AVR o el motor de alivio DWELL estén activados. Ajuste si es necesario. Consulte las instrucciones de AVR para más detalles.
	Falla AVR	Reemplace y pruebe la carga nuevamente.

## **TERMINO DE GARANTIA**

Este producto está garantizado contra defectos de material y fabricación por un periodo legal de 3 (tres) meses a partir de la fecha de emisión de la factura de venta. Nos comprometemos a reparar y/o cambiar, dentro del plazo mencionado, gratuitamente, piezas que sean reconocidas por el Departamento Técnico como defectuosas, mediante la aprobación de la solicitud de garantía.

Esta garantía es limitada e intransferible, valida solamente para el primer comprador y cubre únicamente el producto, quedan excluidos todos los daños y perjuicios derivados del mal uso del equipamiento. Los eventuales gastos de flete/seguro y otros correrán por cuenta del comprador.

Quedan excluidos de la garantía:

- Defectos provocados por uso en desacuerdo con las instrucciones contenidas en el manual del usuario; accidentes (caída, fuego, etc.); utilización de piezas no originales o reparos y/o mantenimientos realizados por talleres y/o técnicos no autorizados.
- Piezas de reposición y mantenimiento natural como, bujías, lubricantes, filtros, tapa de combustible, cuerda de arranque, conjunto de arranque, manubrios, retenedores, juntas, barras, correas, lanzas, picos, pistolas, anillos o-ring, empaques, turbinas(ventilador), dispositivos de seguridad y ítems similares.
- Piezas que sufren de desgaste natural con el uso debido a la fricción, como, pistón, cilindro, anillos del pistón, mancales, pinos, rodillos, biela, cigüeñal, válvula, muelles, tochos, cojinetes, tubos, engranajes(piñón) y embrague.
- Productos violados.
- Productos cuyo certificado de garantía este llenado de manera incorrecta y/o sin el número de la Factura de compra.

**NOTA:** Una avería durante el periodo de garantía no le da el comprador de interrumpir el pago, y/o descuentos.

**IMPORTANTE:** Guarde este manual y este certificado en un local seguro, preséntelo cuando necesite de asistencia técnica, en conjunto con el Certificado de Garantía y Factura de compra.

**ATENCION:** Lea este manual de instrucciones del propietario y todos los avisos de peligro y atención antes de operar el equipamiento.

## PREFACIO

Obrigado por adquirir um Produto TOYAMA.

Este manual contém informações para operação e manutenção do seu produto. As informações e especificações incluídas nesta publicação estavam em vigor no momento da aprovação para impressão. Nenhuma parte desta publicação pode ser reproduzida sem permissão por escrito. Este manual é considerado uma parte permanente do seu produto e deve acompanhar o equipamento ao ser revendido. A ilustração pode variar de acordo com cada modelo de equipamento.

Mantenha este manual do proprietário sempre disponível, para que consiga consultá-lo a qualquer momento.

Ao surgir um problema, ou se você tem dúvidas sobre o seu produto, consulte o seu revendedor autorizado TOYAMA.

## INTRODUÇÃO

Este manual contém informações e instruções de instalação, serviço e manutenção para o grupo gerador.

Antes de operar o gerador, leia o manual. O uso errado ou a falha em seguir as instruções, ou ainda, uso diverso do projetado, ou substituição ou adaptação de peças não originais, podem invalidar a garantia do produto e ainda levar a acidentes graves

Este manual é parte integrante do produto, sendo fundamental a sua leitura e compreensão. Garanta que o projetista da instalação, técnico de manutenção e o usuário do grupo gerador tenham acesso a este manual.

Devido a pedidos individuais, o grupo gerador pode aparecer diferente das ilustrações.

Este manual destina-se a técnicos e especialistas em grupos geradores, Em caso de dúvida, consulte um serviço técnico capacitado em grupos geradores ou entre em contato com o distribuidor Toyama mais próximo.


### NOTA


A Toyama reserva-se ao direito de alterar o conteúdo deste manual sem prévio aviso.


## 1. RECOMENDAÇÕES DE SEGURANÇA

### 1.1 Símbolos e mensagens de segurança:

Este manual utiliza painéis indicadores para sinalizar Perigo, Atenção e Cuidado, suas consequências e como evitar que ocorra um acidente. Os painéis de NOTA indicam instruções importantes ou críticas.

<b>PERIGO</b> 
Perigo indica uma situação de risco, que, se não evitada, tem alto risco de resultar em morte ou ferimentos graves.

<b>ATENÇÃO</b> 
Atenção indica uma situação de risco que, se não evitada, pode resultar em morte ou ferimentos graves.

<b>CUIDADO</b> 
Cuidado indica uma situação de risco que, se não evitada, pode resultar em ferimentos leves a moderados.

<b>NOTA</b>
Nota refere-se a um método ou operação que pode resultar em danos ao equipamento, ou ainda para chamar a atenção para informações adicionais ou explicações.

### 1.2 Proteção contra queimaduras

Não toque em qualquer parte do motor enquanto o motor estiver funcionando. Aguarde o completo resfriamento do motor antes de efetuar qualquer manutenção. Remova qualquer pressão residual no Sistema de refrigeração, alimentação, hidráulico antes de qualquer manutenção, desconexão ou desmontagem nos sistemas.

### 1.3 Proteção contra fogo e explosão

Todos combustíveis e lubrificantes e alguns líquidos refrigerantes são inflamáveis.

Em caso de vazamento de líquidos inflamáveis, caso atinjam superfícies quentes, ou ainda em Contato com componentes eletrizados, podem resultar em chamas. As chamas podem causar acidentes além de poderem causar queimaduras as pessoas próximas ao gerador.

Caso o motor seja aberto com menos de quinze minutos após uma parada de emergência, poderá levar ao surgimento de uma explosão, devido aos gases/diesel acumulado sobre pressão no interior do motor.

Confirmar se o motor pode ser operado em um ambiente que permita que a entrada de gases combustíveis para o sistema de admissão de ar. Estes gases podem resultar na velocidade excessiva do motor. Podendo causar acidentes, danos materiais e falha no motor.

Não permita que qualquer material inflamável se acumule no motor. Remova todos os materiais inflamáveis como o combustível, óleos e detritos do motor.

Combustível e lubrificantes devem ser armazenados em containers adequadamente marcados. Não fume em áreas de armazenamento de materiais inflamáveis.

Não cortar ou soldar sobre linhas e tanques que contêm líquidos inflamáveis. Antes da soldagem, limpe as linhas e tanques completamente com solvente não inflamável.

Fios elétricos devem ser devidamente encapados e seguros. Verifique os fios elétricos todos os dias. Reparar os fios que estão soltos ou desgastados antes de operar o motor. Limpe e aperte as conexões elétricas.

O gerador deve ser regulado propriamente de acordo com as especificações.

Não utilize fios e cabos menores que a bitola recomendada. Nunca ignorar os fusíveis e os disjuntores.

Arcos e faíscas podem resultar em incêndios. Conexões seguras, fiações recomendadas e cabos da bateria devidamente mantidos irão ajudar a prevenir os arcos e as faíscas.

Inspecione as mangueiras quanto o desgaste ou deterioração. Estas mangueiras devem ser devidamente inspecionadas e apertadas de acordo com o torque recomendado. Vazamento pode causar incêndios.

Seja cuidadoso(a) e não fume quando estiver reabastecendo o motor. Nunca reabasteça o motor perto de materiais inflamáveis e faíscas. Sempre pare o motor para o reabastecimento.

Os gases da bateria podem explodir. Nunca fume em áreas de carregamento da bateria.

Nunca carregue uma bateria congelada, pode resultar em uma explosão.

As baterias devem ser mantidas sempre limpas.

Use apenas dióxido de carbono químicos ou extintores secos em incêndios elétricos. Inspecione e repare o extintor de incêndio regularmente. Certifique-se de que o extintor está disponível. Estar familiarizado com o funcionamento do extintor de incêndio.

#### **1.4 Proteção mecânica**

As partes móveis podem causar ferimentos graves ou até a morte. O gerador é projetado com guardas de proteção das peças que se movimentam. Cuidados ainda devem ser tomados para proteger o utilizador e o equipamento de outros riscos mecânicos quando se trabalha em volta de um gerador.

Mantenha as mãos, braços, cabelos compridos, roupas largas e joias longe das polias, correias e outras partes que estiverem em movimento. Quando o gerador estiver funcionando, algumas peças móveis não podem ser vistas tão claramente.

Mantenha as portas de acesso em caixas fechadas e trancadas quando não são

requeridas para serem abertas.

Usar roupas protetoras incluindo luvas e chapéu quando estiver perto do gerador em uso.

### **1.5 Proteção contra o ruído**

Geradores que não são equipados com equipamentos específicos para abafamento do som, podem produzir alto níveis de ruídos excedendo 105 dB. A exposição prolongada ao nível de ruído acima de 85 dB é perigoso a audição.

Nunca opera o gerador sem um silenciador ou com um sistema de escape defeituoso.

É requerido proteção de orelha ao operar ou estar em volta de um gerador em funcionamento.

### **1.6 Instalação e proteção nas movimentações**

Os dispositivos de elevação são adequados para as tarefas necessárias.

Certifique-se que os dispositivos e as estruturas de suporte sejam elevadas e estejam em boas condições, suportando também as cargas aplicadas.

As cordas de suspensão devem estar corretamente posicionadas nos olhais de elevação providenciados ou os braços da empilhadeira posicionados centralmente sobre o quadro.

O chão é capaz de suportar o peso do conjunto do gerador e do dispositivo de elevação.

### **1.7 Proteção contra os gases da exaustão**

Os gases de exaustão do motor contém monóxido de carbono, que é incolor e inodoro. Se for respirado em concentrações suficientes, esse gás pode causar náusea severa, desmaio ou morte. Providenciar ventilação adequada para evitar a acumulação de gases de escape.

Quando o gerador está instalado dentro de uma sala ou gabinete, gases do escape devem ser canalizados ao ar livre.

Nunca ligue o sistema de escape de dois ou mais motores.

Certifique-se de que o escape não é perto da entrada de ar.

Aumente o diâmetro do tubo de exaustão quando necessário para redução da pressão de retorno.

### **1.8 Primeiros socorros em caso de choque elétrico**

Em um evento ou acidente de choque elétrico, desligue o gerador imediatamente. Se o sistema não pode ser desligado, livre a vítima do contato com algo que não conduza eletricidade, evitando contato com a vítima. Se a vítima estiver inconsciente, faça uma respiração artificial e procure ajuda médica imediatamente.

### **1.9 Precauções antes de ligar o gerador**

Faça uma inspeção visual geral sobre o gerador, se há alguma quebra, recuo, fuga ou soltura. Nunca opere o gerador antes de resolver as falhas.

Retire os materiais estranhos, tais como as chaves, ferramentas, panos de limpeza, papéis, etc.. do motor e do gerador.

Verifique o nível de combustível no tanque de combustível. Reabastecer se

estiver baixo.

Verifique o nível de óleo na vareta. Reabastecer com óleo se for baixo. O nível de óleo geralmente deve estar perto da linha de nível máximo.

Verifique o nível da água, removendo a torneira do radiador. Adicione a água se o nível estiver baixo.

O Sistema de arrefecimento do motor pode incluir anti congelante de acordo com as condições climáticas muito frias.

Recomenda-se uma mistura 1:1 de água e glicol. Esta mistura irá proporcionar um ótimo desempenho como um refrigerante anti congelante.

Inspecione o capô de saída de ar do radiador. Se estiver entupido, abra e limpe sempre todas as obstruções.

Verifique o indicador do filtro de ar. Se necessário, limpar ou substituir o filtro de ar.

Manter a entrada de ar aberta.

Certifique-se que o gerador pode retirar facilmente o ar do meio ambiente.

Verifique os cabos de conexão da bateria. Tenha cuidado para apertar os terminais da bateria soltos com a chave inglesa, e manter limpo.

Verifique se o interruptor do disjuntor está na posição OFF.

Certifique-se de que o botão de paragem de emergência não está pressionado.

### **1.10 Precauções após a partida do gerador**

Verifique se há algum ruído anormal ou vibração no gerador.

Verifique o vazamento do sistema de exaustão/escape do gerador.

Monitorar a operação do gerador por meio do módulo de controle.

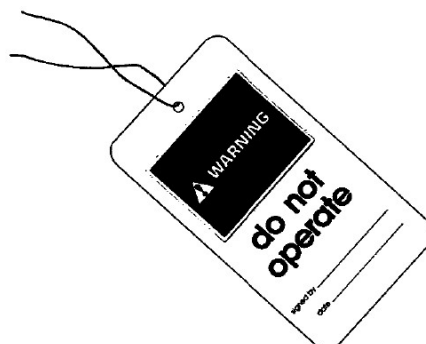
Verifique a temperatura do motor e a pressão do óleo. A pressão do óleo deve estar no nível normal após 10 segundos de funcionamento.

Monitorar se o gerador modificará a voltagem e a frequência.

Se não estiver equipado com o aquecedor de água, operar o gerador sem carga por 8 minutos antes de aplicar a carga.

### **1.11 Isolação do grupo gerador para manutenção**

Ao usar ou reparar o gerador, anexar um “NÃO OPERAR” ou algum aviso similar, como mostrado na figura 1-1. Desconecte o gerador na chave de partida e desligue a distribuição no sistema.



**Figure 1-1 Aviso de Perigo**

### 1.12 Partida accidental

O gerador pode começar em qualquer momento no modo "AUTO". Mantenha-se afastado de todas as peças móveis e não se esqueça de rodar o interruptor para a posição OFF antes de fazer a manutenção, e desconecte o cabo negativo da bateria depois de desligar o circuito de carregamento da bateria.

## 2. INFORMAÇÃO DO PRODUTO

### 2.1 Placa de identificação

Esteja pronto para fornecer o modelo de gerador e números de série na plaqueta de identificação quando nos contatar para peças, serviços e informações do produto. Figura 2-1 ilustra a placa de identificação. Ele também mostra dados importantes do produto

		<b>DIESEL ENGINE GENERATOR</b> GENERADOR A DIESEL • GERADOR A DIESEL	
Model / Modelo			
Code / Código / Código			
Nominal Power / Potencia Nominal / Potência Nominal			
Maximum Power / Potencia Maxima / Potência Máxima			
Nominal Voltage / Voltage Nominal / Tensão Nominal			
Nominal Current / Corriente Nominal / Corrente Nominal			
Gross Weight / Peso Bruto			
Nominal Frequency / Frecuencia Nominal / Frequência Nominal			
Nominal Speed / Velocidad Nominal / Velocidade Nominal			
Number of Phases / Numero de Fases / Número de Fases			
Protection Degree / Grado de Protección / Grau de Proteção			
Power Factor / Fator de Potencia / Fator de Potência			
Energy Efficiency / Eficiencia Energética			
Manufacturing Data / Fecha de Fabricación / Data de Fabricação			
Maximum Altitud / Altitud Maxima / Altitude Máxima			
Maximum Environment Temperature / Temperatura Ambiente Maxima Temperatura Ambiente Máxima			
Serial Number / N° Serie			

Figura 2-1 Placa de identificação



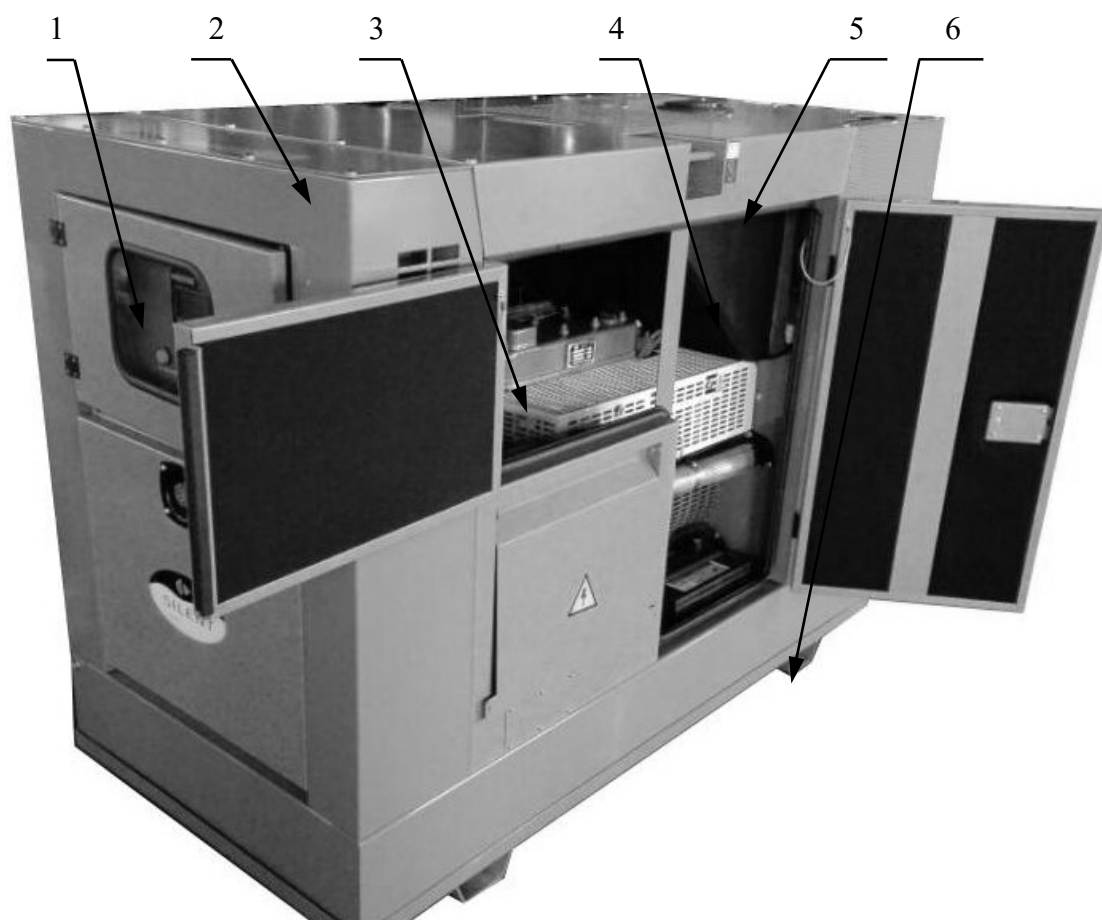
Grave os números sobre a sua placa de identificação do grupo gerador na Figura 2-2, para que eles sejam fáceis de encontrar quando necessário. Cada personagem nesses números é significativo. Precisamos desses números, a fim de determinar os componentes que foram incluídas com o grupo gerador. Isto permite a identificação precisa dos números de peças de reposição.

<b>Modelo:</b> _____	<b>Potência Máxima:</b> ___ kVA	<b>Potência nominal:</b> ___ kVA	
<b>Fator de potência:</b> _____	<b>Peso:</b> ___ kg	<b>Número de fase:</b> _____	<b>NO.:</b> _____

**Figura 2-2 Número de registros**

## **2.2 Grupo gerador Diesel**

Nosso gerador foi concebido como um pacote completo para proporcionar desempenho e confiabilidade superiores. Figura 2-3 identifica os principais componentes. Devido a pedidos individuais, o grupo gerador pode aparecer diferente das ilustrações.



**Figura 2-3 Grupo Gerador Diesel**

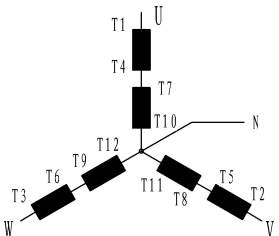
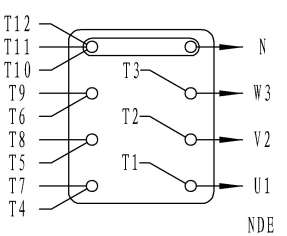
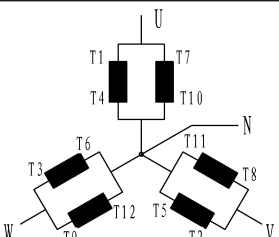
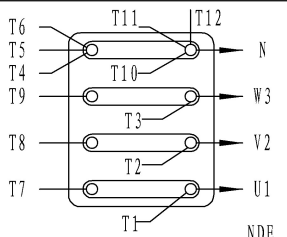
- 1. Painel de Controle**
- 2. Alternador (Interno)**
- 3. Motor Diesel**
- 4. Radiador**
- 5. Gabinete abafador**
- 6. Base**

## 2.3 Motor

O motor diesel que alimenta o gerador é projetado especificamente para geração de energia. Ele tem alta confiabilidade. O motor é do tipo industrial de serviço pesado com ignição por compressão de 4 tempos e está equipado com todos os acessórios para proporcionar uma fonte de energia confiável. Estes acessórios incluem, entre outros, um filtro tipo cartucho de ar seco e uma mecânica ou um regulador de velocidade do motor eletrônico. O motor utiliza a lubrificação forçada através de bomba de engrenagem, e filtros especiais cartucho de papel. O lubrificante de arrefecimento é geralmente através de permutador de calor.

## 2.4 Alternador

Os alternadores são de escovas rotativas e utilizam excitação e regulação de onda completa trifásica. Eles auto se excitam com a potência de excitação derivada das principais enrolamentos de saída. Eles também estão disponíveis com enrolamentos específicos e um sistema de transformação de excitação controlada. Os alternadores têm quatro pólos e doze configurações de fios. Os alternadores podem produzir 50 Hz ou 60 Hz de energia elétrica, em condições normais de trabalho. Os alternadores usam “Configurações Wye” . Figura 2-4 é a configuração de tensão que ilustra a conexão adequada e identificação de fios. As ligações são numeradas no sentido horário, de cima e de fora para dentro.

Connection diagram	L. L Voltage		Factory connection
	50Hz	60Hz	
	380-415	380-480	
	-	380-416	
	Star type series, three phase four lines, Terminals (U, V, W, N)		
	190-208	190-240	
	-	190-208	
	Star type parallel, three phase four lines, Terminals (U, V, W, N)		

**Figura 2-4 Configuração de tensão**

## 2.5 Radiador

O sistema de resfriamento do motor é refrigerado a água.

O sistema de água arrefecida é composto de um radiador, um ventilador e um termostato. O gerador tem seu próprio ventilador interno para refrigerar os componentes de todo o conjunto .

## 2.6 Base

O motor e alternador estão acoplados em conjunto, e montados na estrutura de base com isoladores de vibração . O tanque de combustível de base está equipado com uma tampa de enchimento e um indicador de nível de combustível. É também ligado ao tubo de admissão do motor e tubo de descarga com mangueiras.

## 2.7 Gabinete abafador de ruído

“Super Silent Diesel Genset” possui um desempenho significativamente de baixo ruído. O ruído é limitado a 63 dB (sete metros de distância do conjunto) . O gabinete silencioso é feito de 2,5 milímetros em chapa de aço grossa laminadas a frio e 5 cm de esponja de absorção de som de espessura.

## 2.8 Silencioso

O Sistema de silêncio e exaustão reduzem a emissão de ruídos do motor. Os gases de exaustão são descarregados na atmosfera através de um silenciador. Os equipamentos são feitos a prova da água para não ser possível entrar água no motor. O silenciador é feito de aço carbono e é fornecido em tipos residenciais e industriais.

## 2.9 Sistema de controle

Os sistemas de controle e painéis são usados para controlar a operação e saída do conjunto, e proteger o conjunto de possíveis avarias. Devido a pedidos individuais, os sistemas de controle e fiação são diferentes. Consulte os diagramas de fiação elétrica no final deste manual ou manuais específicos de controle e esquemas de ligação. Entre em contato conosco se você tiver quaisquer dúvidas.

## 3. OPERAÇÃO

### 3.1 Recebendo seu grupo gerador

Ao recebimento do gerador, verifique se o gerador está em boas condições ou não, e todos os equipamentos estão completos ou montados.

Se o seu grupo gerador não está instalado na hora, guarde o gerador e uma área limpa, seca e isenta de vibrações.

#### NOTA

Se encontrar qualquer peça faltando ou peças quebradas, nos contate.

Se o gerador foi recebido durante o clima frio, permita que ele atinja a temperatura ambiente antes de remover o material protetor.

#### ATENÇÃO



Se você remover o material de proteção antes de alcançar a temperatura ambiente, a água pode se condensar em superfícies frias. Isso pode causar falhas prematuras devido a enrolamentos molhados e materiais isolantes.

### 3.3 Içamento do grupo gerador

A fim de garantir a segurança pessoal e prevenir danos ao produto quando você levantar grupos geradores recomendamos as diretrizes:

- ◆ Os dispositivos de elevação devem ser adequados para as tarefas necessárias.
- ◆ Os suportes devem estar corretamente posicionados nos olhais de elevação fornecidos ou os braços de elevação da forquilha estão posicionados centralmente sob o quadro.
- ◆ O chão deve suportar o peso do gerador e o dispositivo de elevação.

#### ATENÇÃO



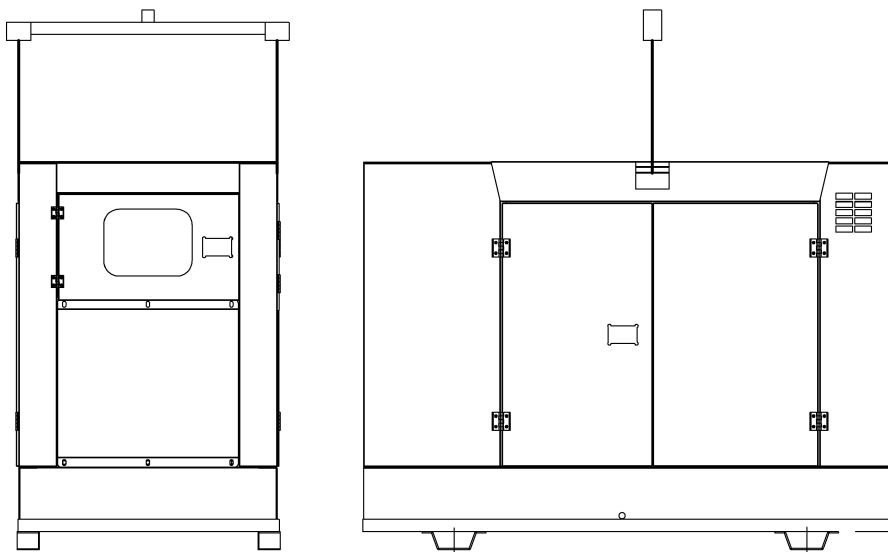
Aparelhamento impróprio pode deixar o elevador e a unidade cair causando ferimentos e danos.

Os dispositivos de elevação incluem principalmente guindaste e empilhadeira. Veja a Figura 3-1 e 3-2.

#### 3.2.1 Usando Cintas de içamento.

Siga as instruções mostradas abaixo:

- 14) Coloque os slings de dispositivo de elevação para elevar a estrutura de base do grupo gerador ou gabinete mudo.
- 15) Aperte lentamente, os slings e certifique-se de que tudo esteja uniformemente ligado e forte o suficiente.
- 16) Içar o grupo gerador lentamente.
- 17) Mova o aparelho para o local escolhido e coloque na posição.
- 18) Descer o gerador lentamente, mantendo-o na posição correta.
- 19) Solte e remova as algemas.



20) Figura 3-1 Levantando o grupo gerador com cintas

### 3.2.2 Empilhadeira

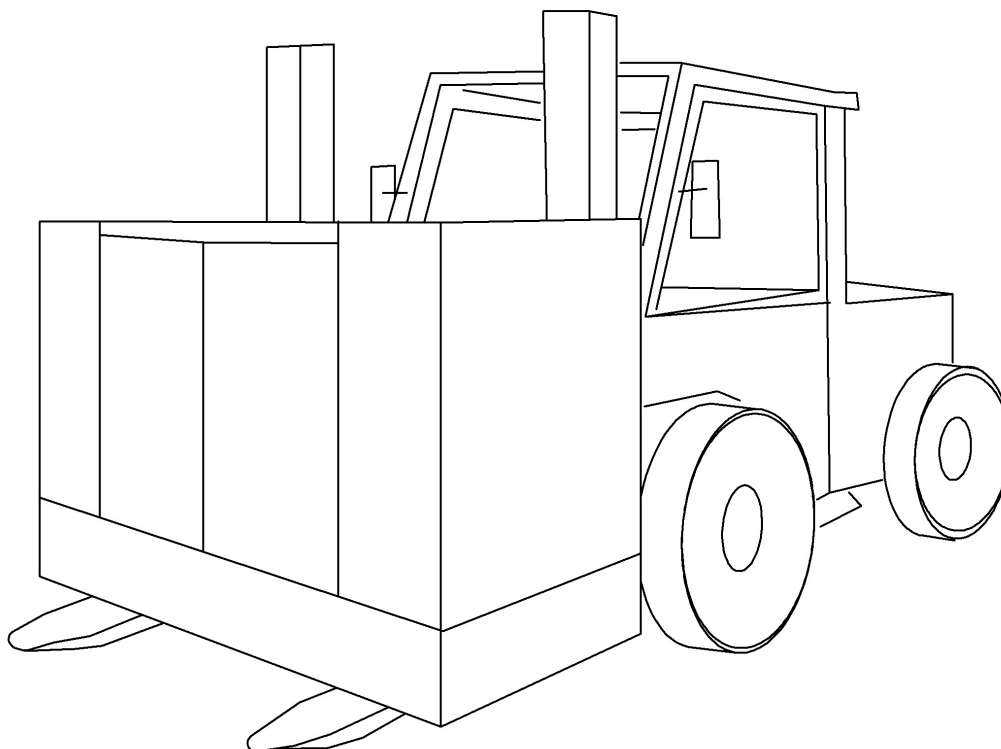
As entradas de levantamento de empilhadeira são mostradas abaixo:

- 7) Posicione os braços da empilhadeira sob o centro da estrutura de base do grupo gerador.
- 8) Levantar e mover o conjunto lentamente para o local escolhido, certificando-se que o grupo gerador está em equilíbrio na forquilha .
- 9) Defina para baixo o grupo gerador na sua posição final.

**CUIDADO**



**Não use a elevação do motor ou do gerador para levantar todo o conjunto.**



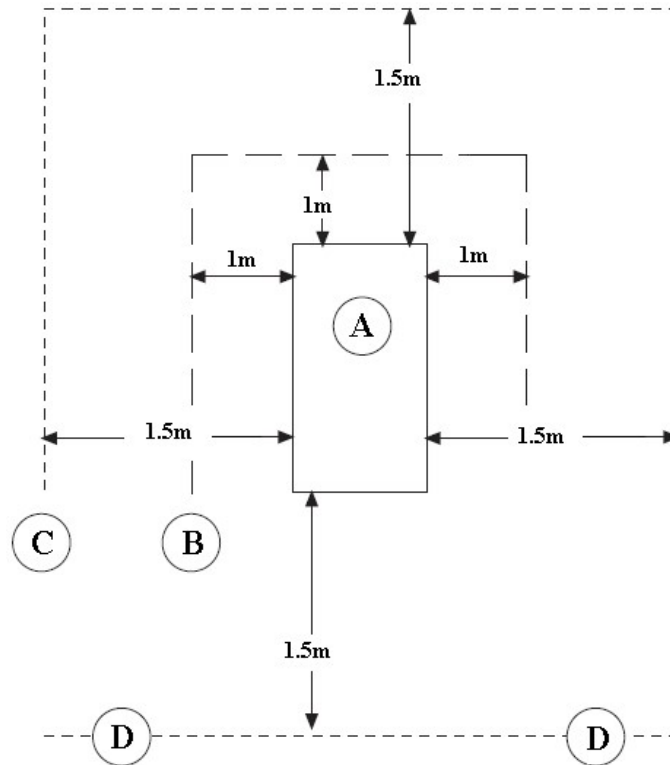
**Figura 3-2 Levantando o grupo gerador com empilhadeira**

### 3.3 Instalação

#### 3.3.1 Local de instalação do grupo gerador

A localização do grupo gerador deve cumprir todos os regulamentos. Localize o grupo gerador na área que atende aos requisitos de limpo, seco e bem ventilado e de fácil acesso para inspeção ou manutenção. A localização do grupo gerador deve ser adequada para suportar o peso do grupo gerador e acessórios, e resistente a cargas dinâmicas. Também é necessária para reduzir a transmissão de vibração e ruído.

Se o grupo gerador está exposto a diferentes condições ambientais (frio extremo ou calor extremo), o grupo gerador pode ser modificado em ordem de todos os filtros e aquecedores. Além disso, deve ser estabelecido um cronograma de manutenção periódica mais rígida.



**Figura 3-3 Distâncias a serem mantidas livres ao redor do grupo gerador, para resfriamento, serviço e manutenção.**

As distâncias em torno do gerador para o arrefecimento, de serviço e manutenção são mostrados na Figura 3-3. A folga acima do conjunto é, pelo menos, de 2 metros. A é o grupo gerador. B é material não combustível com classificação resistente ao fogo de uma hora ou mais. C é material combustível ou estrutura com uma classificação de resistência ao fogo de menos de uma hora. D é qualquer estrutura ou material.

**ATENÇÃO**



Não conecte B e/ou C em D, ou outro, pode ocorrer incêndio.

**3.3.2 Requerimento de fluxo de ar**

Ao instalar os conjuntos de geradores, deve ser tomado muito cuidado para garantir uma ventilação adequada. Instalações adequadas necessitam de ventilação suficiente para resfriar o gerador, e fornecimento de ar adequado para a combustão. A entrada de ar e exaustão deve estar em linha para fornecer o fluxo de ar de ventilação da sala do motor, que será paralelo ao fluxo de ar do grupo gerador sobre o motor, através do gerador e do radiador. As aberturas de entrada e de saída devem ser suficientemente grande para proporcionar o volume de ar exigido pelo gerador.

### **3.4 Armazenagem do produto**

Armazenamento de longo tempo é prejudicial tanto para motor quanto para o gerador. Pode-se minimizar os danos preparando adequadamente o armazenamento do gerador.

#### **3.4.1 Armazenagem do motor**

- 8) Se o motor for colocado para fora de serviço por um longo período de tempo, é necessário drenar o combustível, óleo e líquido de arrefecimento quando o motor ainda estiver quente depois de parar o motor.
- 9) Desconecte o cabo da bateria de partida (o terminal negativo primeiro).
- 10) Remover a lama e pó da superfície exterior do motor. Importante passar óleo anti - ferrugem para expor a superfície maquinada das partes do motor. É proibida manchar os componentes de borracha de plástico com óleo.
- 11) Envolver os coletores de admissão e de escape corretamente com um pano de plástico, a fim de não deixar entrar poeira.
- 12) O motor deve ser armazenado em um lugar com boa ventilação, baixa umidade e sem poeira. É proibido armazenar o motor em sala que contenha produtos químicos. A conservação de acordo com o procedimento acima pode ser assim por três meses. Em seguida, repita este procedimento ao longo do período.
- 13) Coloque uma etiqueta de aviso sobre o motor, que contém as seguintes informações: Armazenamento, data, refrigerante que foi drenado, motor é proibido de operar.
- 14) Remova o óleo anti-ferrugem, antes de o conjunto ser colocado em uso.

#### **3.4.2 Armazenagem do gerador**

A umidade tende a condensar-se nos enrolamentos quando o gerador está armazenado. A fim de minimizar a condensação, armazenar o gerador na área de armazenamento a seco. Se possível, use aquecedores para manter os enrolamentos seco. É essencial para verificar o isolamento dos enrolamentos após a remoção do gerador do armazenamento.

#### **3.4.3 Armazenagem da bateria**

Ao armazenar as baterias, deve receber-se uma carga refrescante a cada 4 semanas até uma condição de totalmente carregada.

### **3.5 Requerimentos elétricos**

#### **3.5.1 Bateria**

Os grupos geradores usam sistema de partida elétrica. A fonte de alimentação do sistema de partida é 12 ou a bateria 24VDC . A tensão inicial é determinada pelo tipo e potência do motor. A fim de reduzir a corrente de arranque e o tamanho do



cabo, do motor de alta potência utiliza-se 24 VDC . (Verifique especificações gerador)

### ATENÇÃO



Nunca desligue o circuito da unidade de carga ou cabo da bateria quando a unidade de carga está em funcionamento. A faísca pode causar incêndios.

### 3.5.2 Fiação de saída de alimentação AC

Toda a fiação deve estar em conformidade com os códigos elétricos aplicáveis. Os fios devem ser de tamanho adequado, devidamente isolados e apoiados de uma forma adequada e aprovada. Assegurar que todos os dispositivos estão devidamente aterrados.

### PERIGO



O contato acidental com o equipamento elétrico pode causar ferimentos graves ou morte se o equipamento não for devidamente fundamentado.

### 3.5.3 Alarme visual e sonoro

Um indicador externo ou alarme sonoro pode ser ligado ao grupo gerador. Certifique-se de que o indicador de falha externa ou alarme sonoro está classificado para 2 ampères no máximo e 12 ou 24 VCC , dependendo da voltagem DC do sistema. O indicador ficará iluminado ou o alarme soará quando ocorrer baixa pressão do óleo , temperatura do líquido de refrigeração alta ou condição de excesso de velocidade.

## 3.6. Partida do motor

### 3.6.1. Antes de ligar o motor

Realizar a manutenção diária necessária e outra manutenção periódica antes de o motor ser ligado. Inspeccionar o compartimento do motor. Essa inspeção pode ajudar a evitar grandes reparações em uma data posterior.

- ◆ A fim de maximizar a vida útil do motor, fazer uma inspeção minuciosa antes de ligar o motor. Olhe para os seguintes itens: vazamentos de óleo, vazamentos do líquido arrefecedor, parafusos soltos, e acúmulo de lixo. Remover o acúmulo de lixo e providenciar reparos, quando necessário.
- ◆ Verifique as mangueiras do sistema de arrefecimento para rachaduras e se falta alguns grampos.

- ◆ Verifique se o alternador, correia de transmissão e acessórios estão trincados, se possuem quebras ou outros danos.
- ◆ Verifique a fiação para conexão e desgaste solto.
- ◆ Verifique o fornecimento de combustível. Drene a água do separador de água (se equipado). Abra a válvula de fornecimento de combustível.

### CUIDADO



Todas as válvulas da linha de retorno de combustível devem ser abertas antes e durante o funcionamento do motor para evitar a alta pressão do combustível. Alta pressão do combustível pode causar falha na carcaça de filtro ou outros danos.

Se o motor não foi utilizado por várias semanas, o combustível pode ter entrado na caixa do filtro. Além disso, quando os filtros de combustível forem trocados, alguns bolsões de ar serão presos no motor. Nestes casos, coloque em ordem o sistema de combustível.

### ATENÇÃO



A exaustão do motor contém produtos de combustão que pode ser prejudicial para a sua saúde. Sempre iniciar e operar o motor em uma área bem ventilada e, se em uma área fechada, ventilar os gases de exaustão para o exterior.

- ◆ Não ligue o motor se houver uma tag "NÃO OPERAR", aviso ou etiqueta de aviso semelhante ligado ao interruptor de arranque ou nos controles.
- ◆ Todos os dispositivos de segurança devem ser testados. Verifique os danificados e ausentes. Repare os danificados. Substitua as proteções danificadas e / ou ausentes.
- ◆ Verifique a bateria e os cabos de má qualidade.
- ◆ Resetar todos os desligamentos ou componentes de alarme.
- ◆ Verifique o nível do óleo. Mantenha o nível de óleo entre o "ADD" e a marca "FULL" no indicador de nível de óleo.
- ◆ Manter o nível do líquido de arrefecimento dentro de 30 mm da parte inferior do tubo de enchimento.
- ◆ Observe o indicador de manutenção do filtro de ar ( se equipado). A manutenção do filtro de ar deverá ocorrer quando entrar na zona vermelha ou os bloqueios de pistão vermelhos estiverem na posição visível.
- ◆ Remova quaisquer cargas elétricas.

### 3.6.2. Ligando o motor

Os modos de arranque do motor incluem principalmente o modo automático e modo manual. Por favor, consulte o manual do controlador relevante para obter informações detalhadas.

### 3.6.3. Iniciando com tempo frio

#### ATENÇÃO



Não use ( fluidos de partida) de éter a menos que especificamente instruído a fazê-lo. Não use éter se o motor está equipado com um aquecedor de entrada de ar (elétrica ou combustível inflamado aquecedor de colector) . O uso pode causar danos pessoais e / ou danos no motor.

O uso do aquecedor de água da camisa pode melhorar a capacidade de arranque do motor à temperatura abaixo de 10 °C (50 °F ). Isso pode ajudar a reduzindo a fumaça branca e falha de ignição durante a partida em tempo frio.

### 3.6.4. Após ligar o motor

Verifique o barulho anormal ou vibração do grupo gerador.

Verifique o vazamento do sistema de exaustão.

Monitorar o grupo gerador a operação por meio do módulo de controle.

Verifique a temperatura do motor e pressão do óleo. A pressão de óleo deve chegar ao valor normal após o funcionamento normal do grupo gerador.

Monitorar a tensão de saída e frequência do grupo gerador.

Se não estiver equipado com aquecedor de água do revestimento, opere o grupo gerador sem carga por 8 minutos antes de aplicar a carga (modo manual).

### 3.6.5. Carregando o grupo gerador

A potência (kW) na placa de identificação do gerador determina a quantidade de carga elétrica (motores, ventiladores, aquecedores, condicionadores de ar, aparelhos, etc.) que o grupo gerador pode possuir. Se a soma das cargas elétricas simultâneas excede o poder de classificação do grupo gerador, o gerador será desligado ou o disjuntor se desligará. Cada fase do grupo gerador deve transportar a mesma carga. Se uma corrente de fase excede a amperagem placa de identificação, o desequilíbrio elétrico irá causar sobrecarga elétrica e superaquecimento.

#### CUIDADO




A carga de arranque é muito maior do que sua carga em operação.

Durante a operação sem carga do grupo gerador, a temperatura do cilindro cai para o ponto em que o combustível não pode queimar completamente, causando umidificação de combustível e fumaça branca. Recomenda-se a reduzir o tempo de operação sem carga, e operar o grupo gerador em cargas de 1/4 a 3/4.

O grupo gerador é classificado na pressão barométrica padrão, umidade e temperatura (Consulte a ISO3046). De qualquer pressão barométrica baixa (alta

altitude) a temperatura ambiente alta irá diminuir o poder do grupo gerador.

A potência do alternador está sujeita a redução de 3 % para cada 500 metros pelo qual a altitude de operação excede 1000 metros acima do nível médio do mar. A potência do alternador está sujeita a redução de 3% para cada 5 °C se a temperatura ambiente operacional for superior a 40 °C .

<b>CUIDADO</b>	
Requisitos para operar num ambiente superior a 60 °C devem ser encaminhados para a fábrica.	


### 3.7 Parada do motor


#### 3.7.1. Parada de emergência



**Figure 3-2 Botão típico da parada de emergência.**

Pressione o botão de parada de emergência em caso de uma emergência. O grupo gerador não será iniciado enquanto o botão estiver bloqueado. Rode o botão no sentido horário, a fim de reiniciar.

<b>CUIDADO</b>	
O botão de parada de emergência é apenas para situações de emergência. Não use o botão de parada de emergência para o procedimento de parada normal.	

<b>CUIDADO</b>	
Não ligue o motor até que o problema que resultou na parada de emergência seja encontrado e solucionado.	

#### 3.7.2. Manual para parada do procedimento

Devido a pedidos individuais, os sistemas de controle são diferentes. Certifique-se de entender os procedimentos de fechamento. Use as seguintes diretrizes gerais para parar o grupo gerador:

- 1) Desligue todas as cargas elétricas conectadas. Execute o grupo gerador sem carga.
- 2) A fim de parar o grupo gerador, pressione o botão "STOP" no painel de controle ou gire a chave de inicialização para "OFF".

### 3.7.3. Após parada do motor

- ◆ Verifique o nível do óleo do cárter do motor. Manter o nível de óleo entre o "ADD" e marca "completo" no indicador de nível de óleo.
- ◆ Deixe o motor esfriar. Solte a tampa de enchimento do sistema de arrefecimento lentamente para aliviar a pressão. Retire a tampa e verifique o nível do líquido de arrefecimento.
- ◆ Reparar os vazamentos e apertar os parafusos soltos.
- ◆ Observe a leitura do medidor de serviço de hora. Realizar a manutenção que está programado no "Intervalo Plano de Manutenção" deste manual. Se ele está apresentando as temperaturas de congelamento, verifique o refrigerante para a proteção contra o congelamento. O sistema de arrefecimento deve ser protegido contra o congelamento para a temperatura exterior mais baixo que o esperado. Se necessário, misture o líquido refrigerante/água.

## 3.8 Lubrificante, combustível e recomendações de fluido refrigerante.

### 3.8.1. Recomendações de fluido refrigerante

O lubrificante deve atender aos requisitos do grupo gerador. Escolher diferentes tipos de óleo de acordo com as exigências do motor a diesel e a temperatura ambiente regional. Devido a pedidos individuais, diferentes grupos geradores são equipados com motores diferentes. Por favor, consulte as especificações de cada gerador.

#### CUIDADO



Não misture diferentes tipos de lubrificantes.

### 3.8.2. Recomendações de combustível

O tanque de combustível da base do conjunto gerador fornece combustível para o motor. O combustível deve cumprir os requisitos do grupo gerador. Escolher diferentes tipos de combustível de acordo com as exigências do motor a diesel e a temperatura ambiente regional. Devido a pedidos individuais, diferentes grupos geradores são equipados com motores diferentes, consulte as especificações de cada gerador.


#### ATENÇÃO



- ◆ O combustível deve estar limpo e isento de qualquer partícula de água.
- ◆ A temperatura do combustível é um fator importante para as condições adequadas de trabalho do motor. Devido à expansão do combustível, em temperatura acima de 71 °C diminuirá a potência de saída do motor.
- ◆ Na linha de sistema de combustível, a utilização dos separadores de filtragem de água irão reduzir a corrosão da bomba e do injetor de combustível.

### 3.8.3. Recomendações de fluido refrigerante

Devido a pedidos individuais, diferentes grupos geradores são equipados com motores diferentes. Por favor, consulte as especificações de cada gerador.

<b>CUIDADO</b> 	
◆	A água de refrigeração deve ser limpa e livre de qualquer contaminação. Água destilada ou água deionizada é mais indicada.
◆	Anticongelante deve ser adicionado ao líquido refrigerante, onde há qualquer possibilidade de congelamento para proteger o motor de danos causados pelo congelamento do líquido de arrefecimento. Recomenda-se uma mistura 1:1 de água e glicol .

## 4. MANUTENÇÃO E RESOLUÇÃO DE PROBLEMAS

- ◆ Manutenção e serviços são muito importantes para o funcionamento adequado do seu grupo gerador e a segurança de qualquer pessoa que operar o gerador.
- ◆ Estas atividades de serviços visam a maximização da vida do gerador, mas não deve variar, alargar ou alterar os termos da garantia padrão do fabricante ou suas obrigações de garantia.
- ◆ Cada intervalo de serviço é apenas uma guia, é desenvolvido com base em que o grupo gerador foi instalado e operado, de acordo com as orientações do fabricante. Se as condições ambientais de instalação e operação do grupo gerador são adversas ou anormal, ele precisa de intervalos de manutenção mais frequentes. O grupo gerador deve ser continuamente monitorado entre os serviços para identificar quaisquer modos de falha potenciais, sinais de mau uso ou desgaste excessivo.
- ◆ Os trabalhos de controle e manutenção indicados no cronograma de manutenção periódica devem ser realizados de maneira completa e oportuna. As falhas devido a manutenção incompleta e oportuna não são cobertas pela garantia.

### 4.1. Calendário recomendado de manutenção do motor

O Plano de Manutenção Intervalo do motor mostra os modos recomendados de serviços e atividades na linha da tabela, agrupados pelo subsistema motor. A frequência de serviço é dada em horas de funcionamento ou intervalo de tempo, o que ocorrer primeiro. Uma marca ( ✓ ) nas células, onde uma linha cruza as colunas mostra quando o serviço é necessário.

Tabela 4-1 Calendário recomendado de manutenção do motor

Sistema	Tipo de Serviço	Atividade de Serviço	Diariamente ou a cada 20 horas	Semanal	Mensal	3 Meses ou 100 horas	6 Meses ou 200 horas	12 Meses ou 800 horas	24 Meses ou 2000 horas	
Sistema de Lubrificação	Verificar	Qualquer vazamento	√	√	√	√	√	√	√	
		Nível de óleo	√	√	√	√	√	√	√	
		Pressão de óleo no motor	A cada 12 meses							
	Substituir	Filtro de óleo						√	√	√
		Óleo						√	√	√
			Óleo e filtro de óleo	O óleo e o filtro de óleo em motor novo ou após retifica deve ser trocado nas primeiras 50 horas						
Limpeza		Respiro do cárter					√	√	√	
Arrefecimento	Verificar	Se há vazamento	√	√	√	√	√	√	√	
		Filtro obstruído			√	√	√	√	√	
		Tubos e conexões			√	√	√	√	√	
		Nível de água		√	√	√	√	√	√	
		Anti-corrosivo e anti-congelante			√	√	√	√	√	
		Correia e do seu grau de aperto				√	√	√	√	
			Ventoinha				√	√	√	
	Substituir		Água	A cada 12 meses.						
Limpeza		Sistema de arrefecimento								
Sistema de combustível	Verificar	Qualquer vazamento	√	√	√	√	√	√	√	
		Nível de combustível		√	√	√	√	√	√	
		Bocal da bomba de combustível							√	√
		Tubos e conectores						√	√	√
			Bomba de combustível			√	√	√	√	√
	Substituir		Filtro de combustível					√	√	√
Limpeza		Bandeja de contenção de líquidos						√	√	
Sistema de admissão de ar	Verificar	Entrada de ar			√	√	√	√	√	
		Filtro de ar		√	√	√	√	√	√	
		Tubos e conectores				√	√	√	√	
Substituir		Núcleo do filtro de ar					√	√	√	
Sistema	Verificar	Qualquer vazamento			√	√	√	√	√	

de exaustã o		Resistencia da exaustão							√	
		Parafuso da exaustão			√	√	√	√	√	
Sistema elétrico	Verificar	Correia do alternador e seu grau de aperto			√	√	√	√	√	
		Bateria		√	√	√	√	√	√	
		Disjuntor		√	√	√	√	√	√	
		Conector de partida						√	√	
		Partida	A cada 12 meses							
		Alternador	A cada 12 meses							
Outros	Verificar	Aperto na base						√	√	
	Limpeza	Grupo gerador					√	√	√	
Opere o gerador sem carga durante 5 minutos	Verificar	Capacidade de arranque		√						
		Coloração da fumaça de exaustão		√						
		Vibração anormal		√						
		Ruído anormal		√						
		Cheiro anormal		√						
		Parâmetros de indicação		√						
Opere o grupo gerador por ½ carga por 15 minutos	Verificar	Capacidade de arranque				√	√	√	√	
		Coloração da fumaça de exaustão				√	√	√	√	
		Vibração anormal				√	√	√	√	
		Ruído anormal				√	√	√	√	
		Cheiro anormal				√	√	√	√	
		Parâmetros de indicação				√	√	√	√	

#### 4.2. Programação de manutenção recomendada do gerador

O Plano de Manutenção do gerador mostra os intervalos / modos recomendados de serviços e atividades na linha da tabela, agrupados pelo sub-sistema gerador. A frequência de serviço é dada em horas de funcionamento ou intervalo de tempo, o que for mais cedo. Uma marca ( √ ) nas células, onde uma linha cruza as colunas mostra quando o serviço é necessário.



**Tabela 4-2 Tabela de resolução de problemas do gerador**

Sistema	Tipo de serviço	Atividade de serviço √ = obrigatório* = Se necessário	Gerador em funcionamento	Antes operar gerador	250hrs/ 0.5 ano	1000 hrs/1 ano	10000 hrs /2ano	30000 hrs/ 5ano
Gerador	Verificar	Classificação do gerador		√				
		Arranjo da base		√				
		Dispositivo de acoplamento		√			*	√
		Condições ambientais e limpeza		√	√	√	√	√
		Danos na máquina, peças soltas		√	√	√	√	√
		Avisos e tabelas de segurança		√	√	√	√	√
		Acesso a manutenção		√				
	Testar	Temperatura ambiente (Dentro e fora)		√	√	√	√	√
		Condições nominais de operações elétricas e excitação	√	√	√	√	√	√
		Vibração	√	√	√	√	√	√
Enrolamento	Verificar	Condição dos enrolamentos		√	√	√	√	√
		Configurações dos sensores de temperatura conforme cliente		√	√	√	√	√
	Testar	Resistência de isolamento de todos os enrolamentos (teste de PI para MV / HV).		√	*	*	√	√
		Resistência de isolamento do rotor / excitador.			√	√		
		Sensores de temperatura	√	√	√	√	√	√
Rolamentos	Verificar	Condição dos rolamentos		√				√
		Configuração dos sensores de temperatura da peça		√				
	Testar	Sensores de temperatura	√	√	√	√	√	√
	Substituir	Rolamentos					*	√
Caixa de terminais	Verificar	Todas as conexões e fiação do gerador/peça		√	√	√	√	√
Controles	Verificar	Configuração de sincronização		√				

Auxiliares	Testar	Configuração inicial de AVR & PFC	√	√				
		Configuração AVR & PFC	√		√	√	√	√
		Conexões auxiliares da peça		√		√	√	√
		Funções dos auxiliares		√	√	√	√	√
		Sincronização	√	√	√	√	√	√
Substituir	Anti-condensação					*	√	
Retificador	Verificar	Diodos e varistores		√	√	√	√	
		Retificador trifásico (se instalado)		√	√	√	√	
Substituir	Diodos e varistores						√	
Arrefecimento/Resfriamento	Verificar	Fluxo de ar (velocidade e direção)	√	√				
		Ventoinha		√	√	√	√	√
	Testar	Temperatura da entrada de ar	√	√	√	√	√	√
		Condição do filtro de ar (se instalado)		√	√	√	√	√
	Limpeza	Condição do filtro de ar (se instalado)				*	*	*
Substituir	Condição do filtro de ar (se instalado)				*	*	*	

### 4.3. Resolução de problemas do motor

Tabela 4-3 Tabela de resolução de problemas do motor

Tipos de problemas	A razão do problema	Ação corretiva
O equipamento não pode ser ligado	Capacidade de partida da bateria é insuficiente	Carregar bateria, se necessário, substituí-la.
	Painel de controle sem acesso à eletricidade	Verificar se os fusíveis do painel estão fundidos.
	Algumas unidade foram ligadas antes de passar pela inspeção	Reiniciar depois de reiniciar o controlador ( esperar por 3 ~ 4s ).
	Falha do relé ao ligar	Substituir o relé de partida
	Falha ao ligar	Solução de problema, substitua se necessário
A unidade é difícil	A unidade está presa e não pode ser ligada pelas instruções	Inspeccionar cuidadosamente e encontrar a causa.
A unidade é difícil	Capacidade de partida da bateria é insuficiente	Carregar bateria, se necessário, substituí-la.

para ligar ou demora muito para ligar	Aquecimento insuficiente antes de ligar	Pré-aqueça o suficiente antes do início
	O potenciômetro do acelerador de algumas unidades equipadas com o controlador eletrônico de velocidade é muito pequena.	Consulte o manual do anexo do controlador eletrônico de velocidade e ajuste o potenciômetro corretamente
	Temperatura baixa	É recomendado aquecedor de água
	Instalada em um planalto, ar é rarefeito	Deve ficar inativo por um tempo, depois rodar em toda velocidade.
	Mau uso, ou nível errado de combustível	Substituir o combustível
	Combustível contendo água	Substituir o combustível
	Ar no combustível ou não tem combustível	Verificar o tanque de combustível
	Obstrução do filtro de combustível	Substituição periódica do filtro de combustível
	Obstrução do filtro de ar	Substituição periódica do filtro de ar
	Falha na injeção de combustível por obstrução	Inspeccionar a bomba de combustível
	Falha da bomba na transferência de combustível	Verificar e reparar, substituir se necessário.
	Falha da válvula magnética para desligamento	Verificar e reparar, substituir se necessário.
	Sistema de exaustão obstruído	Verificar e solucionar problema.
Falha no controle de velocidade eletrônica	Verificar se o controle está ligado, substituir se necessário.	
A unidade não continua funcionando após ligar	Água no combustível	Substitua o combustível
	Ar no combustível ou não tem combustível	Verificar o tanque de combustível
	Obstrução do filtro de ar/combustível	Substituição periódica
	Instalada em um planalto, ar é rarefeito	Deve ficar inativo por um tempo, depois rodar em total velocidade com cuidado.
Excesso de velocidade na partida	Mau uso, ou nível errado de combustível	Substitua o combustível.
	O potenciômetro do acelerador de algumas unidades não estão ajustados adequadamente	Consulte o manual do anexo do controlador eletrônico de velocidade e ajuste o potenciômetro de acelerador de arranque e velocidade de escalada corretamente.
	O valor de proteção de excesso de velocidade é pequena.	Ajuste o valor de proteção de excesso de velocidade lentamente, não mais que 17%.
	Estrutura do controle mecânico de velocidade	Inspeccionar se a alavanca do acelerador é flexível e garantir ajustes adequados
Fumaça de	Falha na bomba de injeção de combustível	Inspeção da bomba por pessoal autorizado (técnico)
	Obstrução da entrada de ar	Manutenção periódica do filtro de ar

exaustão preta	Mau uso do combustível, proporção errada ou tipo diferente.	Substituir o combustível
	A temperatura do motor esta baixa	Verificar novamente após o motor ter atingido a temperatura normal
	A unidade está localizada no planalto, e o ar é rarefeito .	O motor localizado em altitudes deve apresentar redução da potência em execução.
	Alta temperatura do ar na entrada de ar.	A temperatura do ar de admissão, não deve ser maior que 40 °C.
	Obstrução do filtro, e dos tubos de combustíveis	Limpar os tubos de combustível e substituir o filtro
	Mau uso do turbo compressor	Solucionar problemas, ou substituir se necessário
	Folga nas válvulas	Inspeccionar e ajustar as válvulas corretamente
	Tempo de injeção incorreto	Verifique os dados da bomba de injeção e solucionar o problema da bomba com o pessoal autorizado.
Fumaça de exaustão branca ou azul	Excesso de lubrificante no motor	Verificar o nível de óleo do motor
	Tipo errado de lubrificante usado	Substituir o lubrificante e o filtro do lubrificante, tenha certeza de que seja o lubrificante correto.
	Tipo errado do combustível utilizado	Substituir o combustível e o filtro de combustível.
	Vazamento na cabeça do cilindro	Verificar o bloco dos cilindros, substitua se necessário
	Período de revisão do motor foi atingido	Vistoria do motor
Sem alcance da velocidade nominal	Sobrecarga	Reduzir a carga, abaixo da carga nominal
	Configuração errada do potenciômetro ECM	Consulte o manual do anexo do controlador eletrônico de velocidade e ajuste o potenciômetro corretamente.
	Falha no sistema eletrônico de velocidade	Substitua se necessário
	A alavanca de aceleração de velocidade está ajustada de forma incorreta	Inspeccionar e ajustar
	Obstrução dos tubos de combustível	Inspeccionar, e substituir se necessário
	Água no combustível	Substitua o combustível
	Filtros de ar/combustível/lubrificante não foram substituídos no devido tempo	Substituição perriódica dos filtros
	Falha do medidor de frequência	Substituir
Velocidade Instável	A alavanca de aceleração está solta	Verificar e ajustar na posição correta
	O controle de velocidade eletrônico não está propriamente ajustado.	Consulte o manual do controlador eletrônico de velocidade e ajuste o potenciômetro de "Ganho" e "estabilidade" corretamente.
	O mecanismo regulador está fora de controle	Solução pelo pessoal autorizado
	Sistema de combustível contém ar	Inspeção e solução do problema (substituição do combustível)

	Oscilação de carga intensa	Controlar a carga melhor o possível
Vibração	Água ou ar no sistema de combustível	Inspeccionar e substituir o combustível
	Obstrução do filtro de ar	Substituição periódica do filtro de ar
	Demasiado lubrificante, ou o tipo errado do grau de lubrificante usado.	Verifique o nível de lubrificante ou se necessário substitua o lubrificante e filtro. Certifique-se de que o lubrificante correto esta sendo utilizado.
	Temperatura do ar na admissão	A temperatura do ar na admissão não deve ser superior a 40 °C .
	Tubos de exaustão obstruídos	Limpar os tubos de exaustão. Reduzindo a pressão
	Falha na bomba de injeção de combustível	Solução do problema por pessoal autorizado
	Folgas irregulares na válvula	Inspeccionar e ajustar a folga das válvulas
	Danos na ventoinha	Inspeccionar e reparar, substituir se necessário
	A fundação da unidade é desigual, e os amortecedores de vibração não estão localizados na posição certa.	Inspeccionar a posição do ajuste
	Se as condições de operação são adversas. O motor deve ir para o período de revisão antes do tempo.	Revisão do motor
Baixa pressão do lubrificante	Nível de lubrificante impróprio	Verificar o nível de lubrificante, adicione mais ou retire a quantidade ideal.
	Proporção errada do lubrificante	Substitua o lubrificante
	Lubrificante não é trocado à um bom tempo	Substituição periódica do lubrificante
	Obstrução do filtro de óleo	Substituição periódica do filtro
	Alta temperatura do óleo	Inspeccione e repare, ou substitua o radiador de óleo.
	Bronzinas do virabrequim gastas	Achar a causa e solucionar o problema.
	Dano na válvula de redução	Substituição
	Obstrução do filtro de sucção do reservatório	Inspeccionar e reparar, ou substituir o filtro de sucção, e efetuar a limpeza.
Falha do sensor do lubrificante	Verificar sensores no painel de controle. Reparar ou substituir.	
Temperatura elevada da água	Pouca água	Adicionar mais água.
	Obstrução do radiador	Solucionar limpando o radiador.
	Insuficiente ventilação do radiador	Aumentar a área efetiva de ventilação de acordo com os requisitos.
	Ventoinha da refrigeração funciona de forma inadequada.	Inspeccione a tensão da correia da ventoinha, e substitua se necessário.
	Falha da ventoinha	Manutenção ou substituição
	Falha da bomba da água	Manutenção ou substituição
	Falha do termostato	Substituição
	Falha da bomba de injeção de combustível	Manutenção ou substituição pelo pessoal autorizado

	Tempo de injeção incorreto	Verifique os dados da bomba de injeção e solucione problemas da bomba com o pessoal autorizado .
	Alta temperatura do ambiente	Mantenha a sala ventilada e reduza a temperatura do motor devidamente.
	Sobrecarga	Controlar a carga. É proibido a operação com excesso de carga
	Falha do sensor do lubrificante	Verifique o painel de controle, medidores e sensors. Reparar, substituir e solucionar os problemas.
Consumo elevado de combustível	Vazamento de combustível	Inspecionar e eliminar vazamento
	Obstrução do filtro de ar	Substituição periódica
	Instalação em um planalto, ar é rarefeito	Redução da potência em execução para motores que estão situados em planaltos.
	Baixa temperatura do motor	Solução de problemas
	Sobrecarga	Controlar a carga
	Obstrução de tubos de exaustão	Limpeza dos tubos de exaustão
	Tempo de injeção incorreta	Verifique os dados da bomba de injeção e solucione problemas da bomba com o pessoal autorizado .
	Folgas incorreta das válvulas	Inspecionar e ajustar as folgas
Consumo elevado do lubrificante	O motor foi para o período de vistoria	Vistoria do motor
	Vazamento do lubrificante	Inspecionar e eliminar vazamento
	Tipo errado do lubrificante	Substituição do lubrificante e do filtro de óleo. Garantir o tipo correto de lubrificante.
	Vedação dos rolamentos do tubo compressor gastos	Manutenção ou substituição
Potência insuficiente	Desgaste do pistão, cilindro e do cárter	Solucionar problema, e fazer vistoria se necessário
	Sobrecarga	Reduzir a carga
	Oscilação de potência devido a altitude da região	É necessário revisar a potência da unidade quando a altitude for superior a 1.000 metros .
	Os tubos de combustível são muito pequenos, ou o filtro de combustível está obstruído	Aumentar o diâmetro dos tubos de combustível. Substitua o filtro de combustível.
	Tipo errado de combustível utilizado	Substituir o combustível e o filtro, certifique-se de que seja o combustível correto.
	Entupimento da ventilação do tanque ou obstrução dos tubos de retorno.	Verificar, resolução do problema.
	Tubos de escape obstruídos.	Inspecione os tubos de escape . Reduzir a pressão de retorno.
	Entrada de ar insuficiente(obstrução da entrada de ar)	Substituição periódica do filtro de ar.
	Alta temperatura na entrada de ar	Manter a ventilação da sala do motor. Reduzir a temperatura do ar de admissão, manter adequada.
Alta temperatura do combustível	Tentar controlar a temperatura do combustível de entrada. Ele deve ser inferior a 70 °C.	
Falha na bomba de injeção de	Manutenção por parte do pessoal autorizado	

	combustível, ou no sistema de controle	
	Falha na ventoinha do turbocompressor	Manutenção ou substituição
	Folga incorreta nas válvulas	Inspeccionar e ajustar a folga das válvulas.
	Tempo de injeção incorreto	Verifique os dados da bomba de injeção. Solucionar problemas da bomba com o pessoal autorizado.
	O motor está em período de revisão	Revisão do motor
A unidade não pode parar	Falha da válvula eletromagnética para desligamento	Verifique se a fiação está correta, substitua se necessário
	Falha no controle de velocidade eletrônica/mecânica	Manutenção por parte do pessoal autorizado
	Falha dos instrumentos de controle	Manutenção ou substituição
	Falha no sistema de controle	Manutenção por parte do pessoal autorizado
Falha na distribuição de ar	Disparo automático do interruptor de ar	Sobrecarga
		Verificar a controle paralelo. É necessário reparar e substituir o interruptor de ar
	O interruptor do ar não pode ser ligado	É preciso ligar o interruptor do ar após um desarme por sobrecarga ou curto-circuito.
		Controle paralelo. Não pode ser ligado se não forem sincronizados. É preciso reparar e substituir pela falha do interruptor do ar.
Falha no painel de controle	O painel de controle detecta a falha dos alarmes da unidade e, em seguida, e desliga.	Solucionar problemas, reinicie após a reposição.
	Falha na alimentação. Não é possível ligar	Sem sinal de partida. Inspeccionar e solucionar
		Os instrumentos do motor de partida devem trabalhar em modo automático
		A fiação de controle não está correta. Inspeccionar e corrigir.
		Mau uso da partida automática do motor. Substituição ou manutenção
	Alimentação normal, porém não é possível o desligamento	Operação de arrefecimento por 3 a 5 minutos
		Verificar ATS.
		Verifique as conexões entre ATS e controlador.
	Falha RS485	Confirmar se a unidade está em conformidade com a configuração do sensor remoto, a comunicação remota e o controle remoto.
		Verificar conexões
Verificar se a porta COM está correta		
Verificar se A e B do RS485 está conectado reversamente.		
Verificar se a porta PC COM está danificada.		

#### 4.4 Resolução de problemas do gerador

##### 4.4.1 Auto-excitação AVR – SEM CARGA

**Tabela 4-4 Encontrando a falha: Auto-excitação AVR-Sem carga**

<b>Tipos de problemas</b>	<b>Provável razão</b>	<b>Ação corretiva</b>
Sem voltagem (Sem carga)	Voltímetro não está ligado, ou com defeito	Teste as voltagens do terminal do gerador com um multímetro
	Conexões soltas, quebradas ou corroídas	Inspeccione todos os terminais da placa auxiliar. Inspeccione terminal de pressão no AVR. Reparar ou substituir, se necessário
	Não há magnetismo residual no núcleo do aço laminado do estator do excitador. Quando o gerador é ligado, o magnetismo residual dá excitação para fornecer tensão de detecção suficiente (pelo menos 3.5V) para alimentar um AVR auto-animado. O magnetismo residual pode desaparecer nos seguintes casos : 1. Longo tempo de armazenamento. 2. “Piscar” com polaridades erradas provoca campo magnético reverso. 3. Estator excitador é retrocedido. 4. Choque mecânico.	Restaurar o magnetismo do estator: 1. Operar o gerador sem carga a velocidade nominal. 2. Ligue os fios a uma bateria de 12 VDC com um diodo em um chumbo. 3. Conecte rapidamente ( 1seg no máx.) o condutor positivo do terminal AVR X+(F1) e o condutor negativo no terminal AVR XX-(F2).  Atenção: O AVR será danificado se ele estiver conectado com polaridades erradas e sem diodo.
	O isolamento do estator é ruim	Testar o isolamento
	O isolamento do estator principal é ruim	Testar o isolamento do estator principal
	Curto-circuito do varistor no retificador.	Testar o varistores
	Curto-circuito dos diodos no retificador.	Testar os diodos
	Falha nos enrolamentos. Circuitos abertos ou curto-circuito no enrolamento.	Testar os enrolamentos
	Falha AVR	Substituir o AVR e testar
	Carga é aplicada ao motor durante o arranque do motor.	Abra o disjuntor e teste novamente.
	Nenhuma fonte de alimentação do estator principal no AVR.	Teste o fornecimento de detecção AVR.
Baixa voltagem	Baixa velocidade do motor	Teste a velocidade com o tacômetro e ajuste o controle regulador da velocidade nominal.



(sem carga)	Baixa frequência de proteção (UFRO). Circuito ativado	Inspeccionar o led UFRO no AVR. Se estiver aceso, UFRO é ativado, indicando baixa velocidade. Ajustar a velocidade do motor para dentro de -1 % a + 4 % do valor nominal.
	Controle de voltagem AVR, ou configuração incorreta do lado externo do aparador.	1 、 Testar velocidade do motor com o tacômetro se está correta. E a conformidade se o UFRO está desligado (OFF). 2 、 Ajustar a voltagem pelo AVR, ou remotamente.
	Painel do voltímetro defeituoso.	Testar a voltagem nos terminais do gerador com um multímetro.
	Falha AVR	Substituição do AVR, teste novamente.
	Conexões estão soltas, quebradas ou corroídas.	Inspeccionar a fiação. Reparar ou substituir se necessário.
	Nenhuma fonte de alimentação do estator principal para o AVR.	Testar o fornecimento de detecção AVR.
Alta voltagem (Sem carga)	Tensão de entrada de detecção do AVR é de circuito aberto ou muito baixa.	Testar o fornecimento de detecção AVR.
	Controle de voltagem AVR, ou configuração incorreta do lado externo do aparador.	1 、 Testar velocidade do motor com o tacômetro se está correta. E a conformidade se o UFRO está desligado (OFF). 2 、 Ajustar a voltagem pelo AVR, ou remotamente.
	Falha nos sensores do transformador do circuito de alimentação (geradores de 4 ou 6 fios) ou sensor módulo (PCB).	Testar o fornecimento de detecção AVR.
	Falha AVR	Substituição do AVR, teste novamente.
	Conexões estão soltas, quebradas ou corroídas.	Inspeccione todos os terminais da placa auxiliar. Inspeccione o terminal de pressão no AVR. Reparar ou substituir, se necessário.
Voltagem instável (sem carga)	Regulador do motor instável.	Testar a velocidade de estabilidade do motor com um medidor de frequência ou tacômetro. Às vezes, este problema não ocorrerá, quando a carga é aplicada.
	Controle de estabilidade AVR configurado incorretamente.	Inspeccionar as ligações de estabilidade AVR. Ajuste o potenciômetro de estabilidade.
	Conexões estão soltas, quebradas ou corroídas.	Inspeccione todos os terminais da placa auxiliar. Inspeccione o terminal de pressão no AVR. Reparar ou substituir, se necessário.
	Baixa resistência de isolamento dos	Testar a resistência de isolamento dos

	enrolamentos.	enrolamentos.
	Componentes AVR, quebrados ou corroídos.	Substituir AVR e testar novamente.
	Falha ou vibração no painel do voltímetro	Testar a voltagem nos terminais do gerador com um multímetro.
Tensão desequilibrada (Em carga)	Falha nos enrolamentos do estator principal.	Testar os enrolamentos do estator principal.

#### 4.4.2 Auto-Excitação AVR – Em carga

**Tabela 4-5 Detecção de irregularidade: Auto-Excitação AVR-Em carga**

<b>Tipos de problemas</b>	<b>Provável razão</b>	<b>Ação corretiva</b>
Baixa voltage (Em carga)	Baixa velocidade do motor	Teste a velocidade com o tacômetro e ajuste o controle regulador da velocidade nominal.
	Baixa frequência de proteção (UFRO). Circuito ativado	Inspeccionar o led UFRO no AVR. Se estiver aceso, UFRO é ativado, indicando baixa velocidade. Ajustar a velocidade do motor para dentro de -1 % a + 4 % do valor nominal.
	Não há fonte de alimentação do estator principal para o AVR	Testar o fornecimento de detecção AVR.
	Falha AVR	Substituição do AVR, teste novamente.
	Falha do enrolamento ou no diodo rotacional.	Testar enrolamentos ou diodos.
	Queda de tensão entre o gerador e a carga, devido a perdas de $I^2R$ no cabo. Vai ser pior durante surtos de corrente (por exemplo do motor de partida).	Testar a voltagem em ambas as extremidades dos cabos em plena carga. Em casos graves, é preciso um cabo de maior diâmetro.
Alta voltage (Em carga)	Carga desbalanceada	Testar a voltagem em todas as fases. Se for desequilibrado, Re-distribuir a carga entre as fases.
	Conduzindo o fator da carga de potência (Banco de capacitores).	Testar os volts de excitação entre X+(F1) e XX-(F2). O fator condutor fornecerá uma anormalidade de baixa excitação DC. Remover capacitores de correção do fator de potência do sistema com baixa carga

	Transformador de corrente reverso de inclinação paralela.	Verificar a inclinação.
Voltagem Instável (em carga)	Regulador do motor é instável.	Testar a velocidade de estabilidade do motor com um medidor de frequência ou tacômetro.
	Cargas no condutor de potência causadas pelos capacitores de correção do fator de potência.	Isole os capacitores de correção de fator de potência antes de carga indutiva suficiente foi aplicado.
	Flutuações da corrente de carga (motor de arranque, ou alternar cargas)	Testar a corrente de carga em um fornecimento estável, isto é, na alimentação.
	Controle de estabilidade AVR ajustado incorretamente.	Ajustar o controle AVR até a voltage tornar-se estável.
Regulação de baixa tensão (em carga)	Grande inclinação da velocidade do motor. A proteção AVR UFRO é ativada.	Testar a inclinação de velocidade primeiramente sem carga até a carga plena não ser maior do que 4 %. Inspeção o led AVR. Se estiver aceso, aumentar a velocidade do motor.
	Carga desequilibrada	Testar a voltagem em todas as fases. Se for desequilibrado, Re-distribuir a carga entre as fases.
	Circuito de inclinação incorretamente ajustado.	O circuito de inclinação proporcionará tensão adicional de -3% na carga completa e um fator de potência = 0.8. Para máquinas de funcionamento individuais, pode ser removido por ajustamento de um interruptor de curto-circuito entre a entrada de inclinação CT, ( S1 - S2 ), por intermédio do regulador no AVR.
	A queda de tensão entre o gerador e a carga, devido a perdas de I <sup>2</sup> R no cabo. Será pior durante surtos de corrente (por exemplo: de motor de partida) .	Testar voltagem em ambas as extremidades dos cabos em plena contínua. Em casos graves, um cabo de maior diâmetro é precisa
	Falha no retificador ou nos enrolamentos de excitação	Testar o retificador e verificar os enrolamentos.
	AVR sob o circuito de proteção de frequência UFRO ativado.	Verifique o led UFRO. Se acessar, UFRO é ativado, indicando baixa velocidade. Teste de velocidade com tacômetro e ajuste para corrigir a velocidade nominal ou a frequência.

Fracas de voltagem responsável pelo surgimento de cargas ou partida do motor.	Regulador do motor está degolado ou lento para responder. Proteção AVR UFRO é ativada.	Verifique o desempenho do motor durante a aplicação da carga. Verifique se o led AVR está aceso durante a partida do motor. Verifique se AVR DIP ou circuitos DWELL estão ativados. Ajuste, se necessário.
	AVR UFRO Proteção está ativada	Teste a inclinação da velocidade sem carga para a carga completa não é maior do que 4 %. Inspecione o led AVR. Se estiver aceso, aumentae a velocidade do motor.
	Circuito de inclinação paralela definido incorretamente	Demasiada inclinação aumentará quedas de tensão quando o motor é ligado. Interruptor do curto-circuito está apto para geradores individuais.
	Picos de carga pode exceder 2,5 vezes a corrente máxima	Medição de corrente com um amperímetro. A queda de tensão pode ser excessiva se a corrente exceder 2,5 vezes a carga completa. Consulte a Toyama para cálculos de partida do motor.
	Queda de tensão entre o gerador e a carga, devido a perdas de I <sup>2</sup> R no cabo. Será pior durante surtos de corrente (por exemplo: motor de partida).	Tensão de ensaio/teste em ambas as extremidades dos cabos em plena carga. Em casos graves, será preciso um cabo com diâmetro maior.
	Os contadores do motor estão desconectando-se durante a partida, (grandes oscilações de corrente, queda de voltagem de 30%).	Todas as causas e ações nesta secção podem ser aplicadas a este problema. Consulte a fábrica para quedas típicas de tensão.
	Controle de estabilidade AVR é instalado de forma incorreta.	Definir controle de estabilidade AVR para um melhor desempenho. Ajuste anti-horário até que a tensão seja instável , então mude levemente para sentido horário até ficar estável.
	Falha do retificador ou no enrolamento de excitação	Testar retificador ou enrolamento de excitação.
	Circuito de alívio motor ativado durante a partida do motor.	Verifique se os circuitos DIP AVR ou o motor DWELL de alívio são ativados. Ajustar se necessário. Veja as instruções AVR para obter detalhes.
Falha AVR	Substituir e fazer novamente o teste com carga.	

## TERMO DE GARANTIA

Este produto é garantido contra defeitos de material e de fabricação pelo período legal de 3 (três) meses a contar da data de emissão da respectiva Nota Fiscal de Venda. Comprometemo-nos a reparar ou substituir, dentro do prazo citado, gratuitamente, peças que sejam reconhecidas pelo Departamento Técnico como defeituosas, mediante aprovação da Solicitação de Garantia.

A presente garantia limitada é intransferível, válida somente para o primeiro comprador e cobre unicamente o produto, ficando excluídos quaisquer eventuais danos e prejuízos decorrentes de aplicação do equipamento. Eventuais despesas como frete e/ou seguro entre o domicílio e a Assistência Técnica correrão por conta do comprador.

Ficam excluídos da garantia:

- Defeitos provocados por uso em desacordo com as instruções contidas no Manual do Proprietário; acidentes (queda, fogo, etc.); utilização de peças não originais e consertos e/ou manutenção realizados por oficinas e/ou técnicos não autorizados.
- Peças de reposição e manutenção natural, como velas, lubrificantes, filtros, tampa de combustível, cordão da partida, manípulos, retentores, juntas, dispositivos de segurança e itens similares.
- Peças que sofrem desgaste natural com o uso, devido ao atrito, como pistão, cilindro, anéis de pistão, mancais, pinos, roletes, biela, virabrequim, molas, buchas, rotor e selos mecânicos.
- Produtos violados.
- Produtos cujo certificado de garantia esteja preenchido de forma incorreta e/ou sem o número da Nota Fiscal de Venda.

**NOTA:** Uma avaria durante o período de garantia não dá o direito ao comprador de interromper o pagamento, ou a descontos.

**IMPORTANTE:** Guarde a Nota Fiscal de Venda, O Certificado de Garantia do produto e apresente-os quando necessitar de assistência técnica.

**ATENÇÃO:** Leia o Manual de Instruções do proprietário e todos os avisos de perigo e atenção antes de operar o equipamento.



TY\_TDMGYH\_M\_MA\_R00

